

**BYOMA MOISTURIZING GEL SUNSCREEN BROAD SPECTRUM SPF 30-  
avobenzone, homosalate, octisalate cream  
ENGLEWOOD LAB, INC.**

-----  
**Byoma Moisturizing Gel Sunscreen Broad Spectrum SPF 30**

***Drug Facts***

***Active Ingredients***

Avobenzone 3%,

Homosalate 10%,

Octisalate 5%

***Purpose***

Sunscreen

***Uses***

- Helps prevent sunburn
- if used as directed with other sun protection measures (see Directions), decreases the risk of skin cancer and early skin aging caused by the sun.

***Warnings***

**For external use only**

**Do not use**

on damaged or broken skin

**When using this product**

keep out of eyes. Rinse with water to remove.

**Stop use and ask a doctor if**

rash occurs.

**Keep out of reach of children.**

If swallowed, get medical help or contact a Poison Control Center right away.

***Directions***

- Apply generously and evenly 15 minutes before sun exposure.
- Use a water resistant sunscreen if swimming or sweating:
- Reapply at least every 2 hours.
- Children under 6

months of age: ask a doctor. • Spending time in the sun increases your risk of skin cancer and early skin aging. To decrease this risk regularly use a sunscreen with a Broad Spectrum SPF value of 15 or higher and other sunprotection measures including • Limit time in the sun, especially from 10 a.m.- 2 p.m - Wear long sleeved shirts, pants, hats and sunglasses.

## **Sun Protection Measures**

### ***Other information***

Protect the product in this container from excessive heat and direct sun.

### ***Inactive Ingredients***

Water (Aqua), Glycerin, Butyloctyl Salicylate, Propanediol, Dimethicone, Beta-Glucan, Sodium Hyaluronate, Caprylhydroxamic Acid, Caprylic/Capric Triglyceride, Ceramide NP, Cholesterol, Phytosphingosine, Caprylyl Glycol, Dextrin Palmitate, Dibutyl Ethylhexanoyl Glutamide, Stearic Acid, Oleic Acid, Dibutyl Lauroyl Glutamide, Dimethicone/Vinyl Dimethicone Crosspolymer, Hydrogenated Lecithin, Eugenia Caryophyllus (Clove) Bud Extract, Hydroxyacetophenone, Lactic Acid, Lecithin, Octyldodecanol, 1,2-Hexanediol, Panthenol, Poly C10-30 Alkyl Acrylate, Pullulan, Sclerotium Gum, Sodium Polyacryloyldimethyl Taurate, Solidago Virgaurea Extract, Tocopherol, Xanthan Gum.

### ***Questions or Comments?***

contact [hello@byoma.com](mailto:hello@byoma.com)

### **Package Labeling:**

# BYOMA

## HYDRATE & PROTECT

A deeply hydrating, lightweight, non-greasy gel-cream SPF moisturizer, formulated with our **TRI-CERAMIDE COMPLEX + HYALURONIC ACID + BETA GLUCAN**. Offers broad spectrum UVA/UVB SPF 30 protection while effectively restoring skin barrier function.

**BOOSTED BARRIER. BETTER SKIN.**

79mm



MADE IN USA from domestic & imported materials

www.byoma.com

Manufactured For We Are Luxe Ltd, G2 1PJ (UK)

PEEL HERE FOR DRUG FACTS

LAB1092 610035



## Drug Facts

**Active Ingredients Purpose**  
 Avobenzone 3%, Homosalate 10%, Octisalate 5% Sunscreen

### Uses

- Helps prevent sunburn
- If used as directed with other sun protection measures (see Directions), decreases the risk of skin cancer and early skin aging cause by the sun.

### Warnings

**For external use only**

**Do not use** on damaged or broken skin.

**When using this product** keep out of eyes. Rinse with water to remove. **Stop use and ask a doctor** if rash occurs.

**Keep out of reach of children.** If swallowed, get medical help or contact Poison Control Center right away.

### Directions

- Apply generously and evenly 15 minutes before sun exposure.
- Use a water resistant sunscreen if swimming or sweating.
- Reapply at least every 2 hours.
- Children under 6 months of age: ask a doctor.
- **Sun Protection Measures**  
 Spending time in the sun increases your risk of skin cancer and early skin aging. To decrease this risk regularly use a sunscreen with a Broad Spectrum SPF value of 15 or higher and other sunprotection measures including

- Limit time in the sun, especially from 10am-2pm - Wear long sleeved shirts, pants, hats and sunglasses.

### Other Information

Protect the product in this container from excessive heat and direct sun.

### Inactive Ingredients

Water (Aqua), Glycerin, Butyloctyl Salicylate, Propanediol, Dimethicone, Beta-Glucan, Sodium Hyaluronate, Caprylhydroxamic Acid, Caprylic/Capric Triglyceride, Ceramide NP, Cholesterol, Phytosphingosine, Caprylyl Glycol, Dextrin Palmitate, Dibutyl Ethylhexanoyl Glutamide, Stearic Acid, Oleic Acid, Dibutyl Lauroyl Glutamide, Dimethicone/Vinyl Dimethicone Crosspolymer, Hydrogenated Lecithin, Eugenia Caryophyllus (Clove) Bud Extract, Hydroxyacetophenone, Lactic Acid, Lecithin, Octyldodecanol, 1,2-Hexanediol, Panthenol, Poly C10-30 Alkyl Acrylate, Pullulan, Sclerotium Gum, Sodium Polyacryloyldimethyl Taurate, Solidago Virgaurea Extract, Tocopherol, Xanthan Gum.

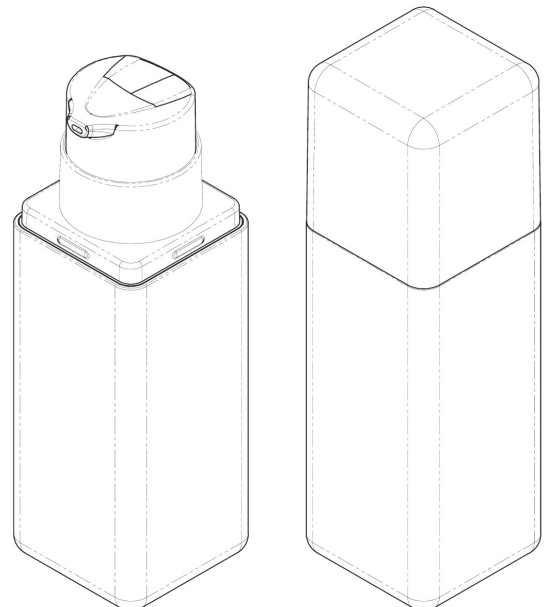
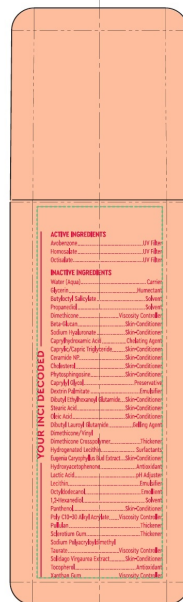
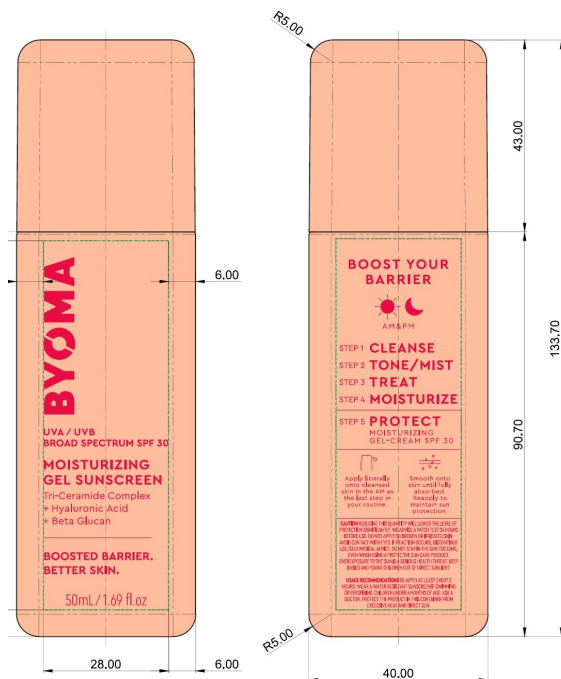
### Questions or Comments?

contact hello@byoma.com

PAGE 1

PAGE 2

PAGE 3



# BYOMA MOISTURIZING GEL SUNSCREEN BROAD SPECTRUM SPF 30

avobenzone, homosalate, octisalate cream

## Product Information

<b>Product Type</b>	HUMAN OTC DRUG	<b>Item Code (Source)</b>	NDC:14268-123
<b>Route of Administration</b>	TOPICAL		

## Active Ingredient/Active Moiety

Ingredient Name	Basis of Strength	Strength
<b>AVOBENZONE</b> (UNII: G63QQF2NOX) (AVOBENZONE - UNII:G63QQF2NOX)	AVOBENZONE	30 mg in 1 mL
<b>HOMOSALATE</b> (UNII: V06SV4M95S) (HOMOSALATE - UNII:V06SV4M95S)	HOMOSALATE	100 mg in 1 mL
<b>OCTISALATE</b> (UNII: 4X49Y0596W) (OCTISALATE - UNII:4X49Y0596W)	OCTISALATE	50 mg in 1 mL

## Inactive Ingredients

Ingredient Name	Strength
<b>WATER</b> (UNII: 059QF0KO0R)	
<b>GLYCERIN</b> (UNII: PDC6A3C0OX)	
<b>BUTYLOCTYL SALICYLATE</b> (UNII: 2EH13UN8D3)	
<b>PROPANEDIOL</b> (UNII: 5965N8W85T)	
<b>DIMETHICONE</b> (UNII: 92RU3N3Y1O)	
<b>HYALURONATE SODIUM</b> (UNII: YSE9PPT4TH)	
<b>CAPRYLHYDROXAMIC ACID</b> (UNII: UPY805K99W)	
<b>MEDIUM-CHAIN TRIGLYCERIDES</b> (UNII: C9H2L21V7U)	
<b>CERAMIDE NP</b> (UNII: 4370DF050B)	
<b>CHOLESTEROL</b> (UNII: 97C5T2UQ7J)	
<b>PHYTOSPHINGOSINE</b> (UNII: GIN46U9Q2Q)	
<b>CAPRYLYL GLYCOL</b> (UNII: 00YIU5438U)	
<b>DIBUTYL ETHYLHEXANOYL GLUTAMIDE</b> (UNII: 0IAF2L30VS)	
<b>STEARIC ACID</b> (UNII: 4ELV7Z65AP)	
<b>OLEIC ACID</b> (UNII: 2UMI9U37CP)	
<b>DIBUTYL LAUROYL GLUTAMIDE</b> (UNII: 3V7K3IA58X)	
<b>CLOVE</b> (UNII: K48IKT5321)	
<b>HYDROXYACETOPHENONE</b> (UNII: G1L3HT4CMH)	
<b>LACTIC ACID</b> (UNII: 33X04XA5AT)	
<b>OCTYLDODECANOL</b> (UNII: 461N1O614Y)	
<b>1,2-HEXANEDIOL</b> (UNII: TR046Y3K1G)	
<b>PANTHENOL</b> (UNII: WW9CM0O67Z)	
<b>PULLULAN</b> (UNII: 8ZQ0AYU1TT)	
<b>BETASIZOFIRAN</b> (UNII: 2X51AD1X3T)	
<b>TOCOPHEROL</b> (UNII: ROZB2556P8)	
<b>XANTHAN GUM</b> (UNII: TTV12P4NEE)	

## Packaging

#	Item Code	Package Description	Marketing Start Date	Marketing End Date
---	-----------	---------------------	----------------------	--------------------

<b>1</b>	NDC:14268-123-01	50 mL in 1 BOTTLE; Type 0: Not a Combination Product	03/15/2023	
<b>Marketing Information</b>				
<b>Marketing Category</b>	<b>Application Number or Monograph Citation</b>		<b>Marketing Start Date</b>	<b>Marketing End Date</b>
OTC Monograph Drug	M020		03/15/2023	

**Labeler -** ENGLEWOOD LAB, INC. (172198223)

Revised: 12/2023

ENGLEWOOD LAB, INC.