

**GLOWSCREEN SPF 40 - DAWN- avobenzene, homosalate, octisalate, octocrylene lotion
Supergoop, LLC**

Disclaimer: Most OTC drugs are not reviewed and approved by FDA, however they may be marketed if they comply with applicable regulations and policies. FDA has not evaluated whether this product complies.

Active Ingredients Purpose

Avobenzene 3%.....Sunscreen

Homosalate 4%.....Sunscreen

Octisalate 5%.....Sunscreen

Octocrylene 8%.....Sunscreen

Helps prevent sunburn

If used as directed with other sun protection measures (see Directions), decreases the risk of skin cancer and early skin aging caused by the sun

Keep out of reach of children. If product is swallowed, get medical help, or contact a poison control center right away.

For External use only

Do not use on damaged or broken skin

When using this product, keep out of eyes. Rinse with water to remove

Stop use and ask a doctor if rash occurs

Directions

Apply generously and evenly 15 minutes before sun exposure

Reapply at least every 2 hours

Use a water resistant sunscreen if swimming or sweating

Sun Protection Measures: Spending time in the sun increases your risk of skin cancer and early skin aging. To decrease this risk, regularly use a sunscreen with a Broad Spectrum SPF value of 15 or higher and other sun protection measures including:

Limit time in the sun, especially from 10 a.m.- 2 p.m.

Wear long-sleeved shirts, pants, hats, and sunglasses

Children under 6 months: Ask a doctor

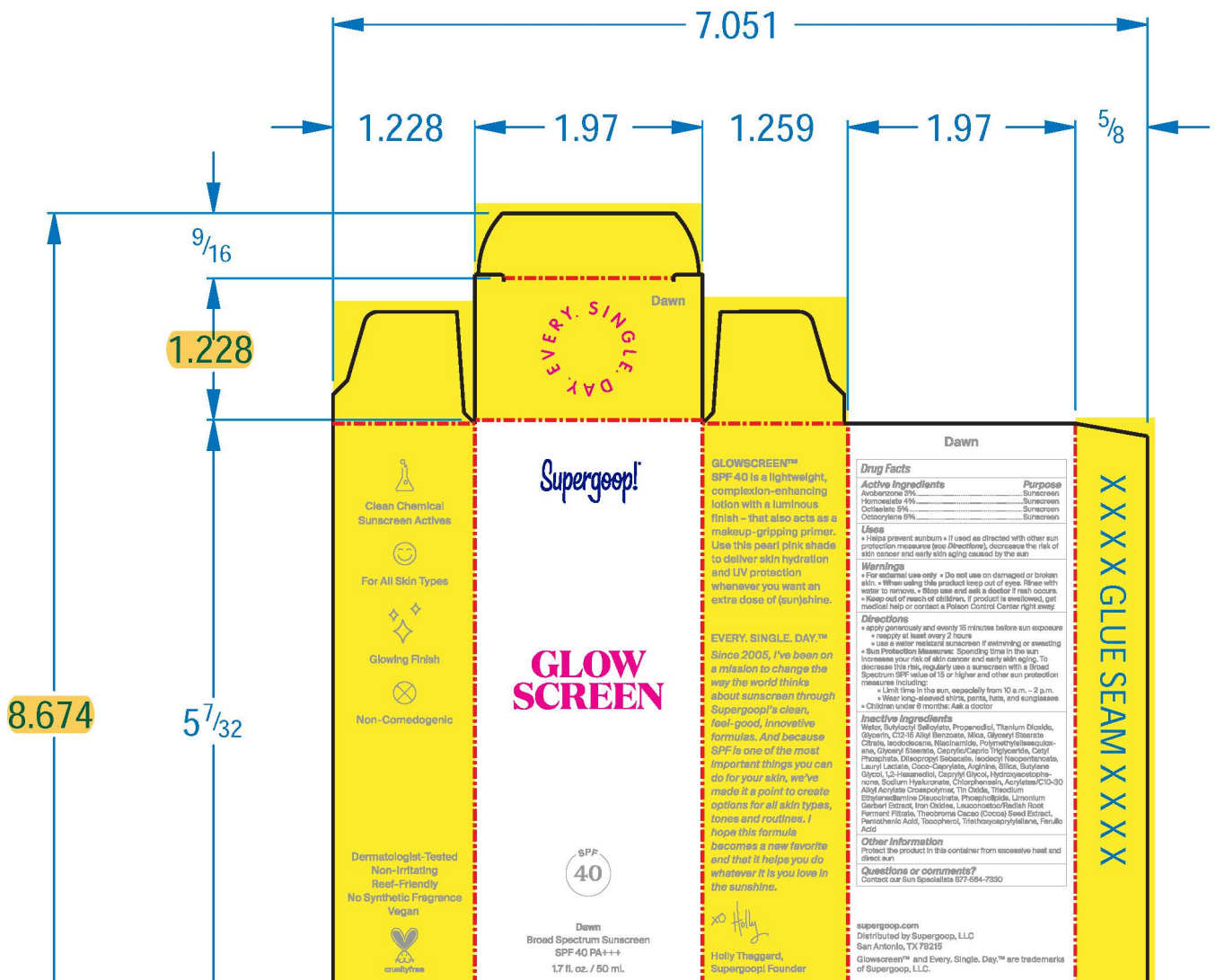
Water, Butyloctyl Salicylate, Propanediol, Titanium Dioxide, Glycerin, C12-15 Alkyl Benzoate, Mica, Glyceryl Stearate Citrate, Isododecane, Niacinamide, Polymethylsilsesquioxane, Glyceryl Stearate, Caprylic/Capric Triglyceride, Cetyl Phosphate, Diisopropyl Sebacate, Isodecyl Neopentanoate, Lauryl Lactate, Coco-Caprylate, Arginine, Silica, Butylene Glycol, 1,2-Hexanediol, Caprylyl Glycol, Hydroxyacetophenone, Sodium Hyaluronate, Chlorphenesin, Acrylates/C10-30 Alkyl Acrylate Crosspolymer, Tin Oxide, Trisodium Ethylenediamine Disuccinate, Phospholipids,

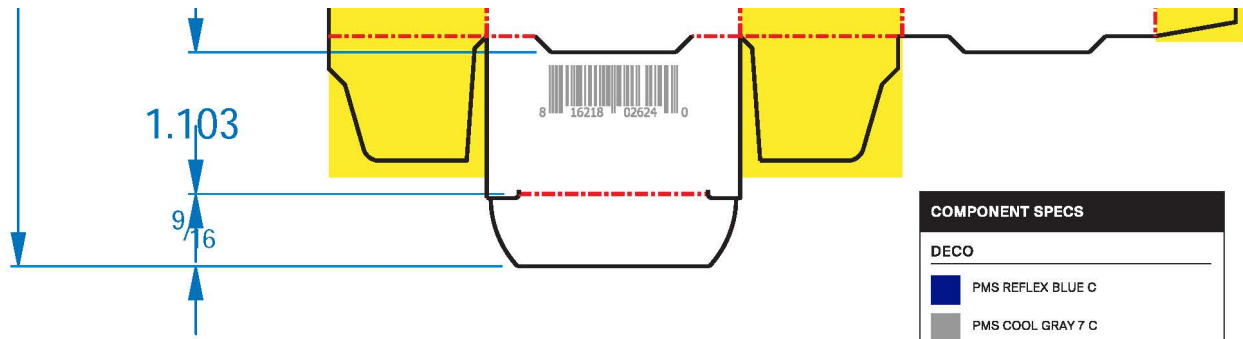
Limonium Gerberi Extract, Iron Oxides, Leuconostoc/Radish Root Ferment Filtrate, Theobroma Cacao (Cocoa) Seed Extract, Pantothenic Acid, Tocopherol, Triethoxycaprylylsilane, Ferulic Acid





SPF 40

Dawn
Broad Spectrum Sunscreen SPF 40 PA+++

1.7 fl. oz. / 50 mL





| COMPONENT SPECS | |
|---|----------------------------------|
| DECO | |
|  | PMS REFLEX BLUE C |
|  | PMS COOL GRAY 7 C |
|  | PMS 102 U |
|  | HOT STAMP FOIL: INFINTY FOIL #61 |
| OTHER SPECS | |
| PAPER: 8# Neenah Folding Board 18pt Eggshell, PC 100 White | |

GLOWSCREEN SPF 40 - DAWN

avobenzone, homosalate, octisalate, octocrylene lotion

Product Information

| | | | |
|--------------------------------|----------------|---------------------------|---------------|
| Product Type | HUMAN OTC DRUG | Item Code (Source) | NDC:75936-606 |
| Route of Administration | TOPICAL | | |

Active Ingredient/Active Moiety

| Ingredient Name | Basis of Strength | Strength |
|---|-------------------|---------------|
| AVOBENZONE (UNII: G63QQF2NOX) (AVOBENZONE - UNII:G63QQF2NOX) | AVOBENZONE | 3 g in 100 mL |
| OCTISALATE (UNII: 4X49Y0596W) (OCTISALATE - UNII:4X49Y0596W) | OCTISALATE | 5 g in 100 mL |
| HOMOSALATE (UNII: V06SV4M95S) (HOMOSALATE - UNII:V06SV4M95S) | HOMOSALATE | 4 g in 100 mL |
| OCTOCRYLENE (UNII: 5A68WGF6WM) (OCTOCRYLENE - UNII:5A68WGF6WM) | OCTOCRYLENE | 8 g in 100 mL |

Inactive Ingredients

| Ingredient Name | Strength |
|---|----------|
| BROWN IRON OXIDE (UNII: 1N032N7MFO) | |
| BUTYLENE GLYCOL (UNII: 3XUS85K0RA) | |
| THEOBROMA CACAO WHOLE (UNII: EB048G1S9J) | |
| LIMONIUM GERBERI FLOWERING TOP (UNII: V4O4C05BJ2) | |
| WATER O-18 (UNII: 7QV8F8BYNJ) | |
| CAPRYLIC/CAPRIC/PALMITIC/STEARIC TRIGLYCERIDE (UNII: ZF29F7IK5I) | |
| TITANIUM DIOXIDE (UNII: 15FIX9V2JP) | |
| GLYCERYL STEARATE CITRATE (UNII: WH8T92A065) | |
| ISODODECANE (UNII: A8289P68Y2) | |
| GLYCERIN (UNII: PDC6A3C0OX) | |
| COCO-CAPRYLATE (UNII: 4828G836N6) | |
| PANTOTHENIC ACID (UNII: 19F5HK2737) | |

| |
|--|
| TRIETHOXYCAPRYLYLSILANE (UNII: LDC331P08E) |
| FERULIC ACID (UNII: AVM951ZWST) |
| NIACINAMIDE (UNII: 25X51I8RD4) |
| POLYMETHYLSILSESQUIOXANE (11 MICRONS) (UNII: Z570VEV8XK) |
| STANNIC OXIDE (UNII: KM7N50LOS6) |
| TRISODIUM ETHYLENEDIAMINE DISUCCINATE (UNII: YA22H34H9Q) |
| PEG-120 GLYCERYL STEARATE (UNII: 6941286E4I) |
| LAURYL LACTATE (UNII: G5SU0BFK7O) |
| PROPANEDIOL (UNII: 5965N8W85T) |
| BUTYLOCTYL SALICYLATE (UNII: 2EH13UN8D3) |
| SILICA, TRIMETHYLSILYL CAPPED (UNII: VU10KU4B9S) |
| 1,2-HEXANEDIOL (UNII: TR046Y3K1G) |
| CAPRYLYL GLYCOL (UNII: 00YIU5438U) |
| GR-270773 PHOSPHOLIPID EMULSION (UNII: D4B2F53PBH) |
| HELIANTHUS ANNUUS SEED WAX (UNII: 42DG15CHXV) |
| CHLORPHENESIN (UNII: I670DAL4SZ) |
| CETYL PHOSPHATE (UNII: VT07D6X67O) |
| DIISOPROPYL SEBACATE (UNII: J8T3X564IH) |
| ISODECYL NEOPENTANOATE (UNII: W60VYE24XC) |
| ALKYL (C12-15) BENZOATE (UNII: A9EJ3J61HQ) |
| MICA (UNII: V8A1AW0880) |
| ARGININE (UNII: 94ZLA3W45F) |
| TOCOPHEROL (UNII: R0ZB2556P8) |
| ACRYLATES CROSSPOLYMER-6 (UNII: 4GXD0Q3OS3) |
| HYDROXYACETOPHENONE (UNII: G1L3HT4CMH) |
| PEG-9 DIGLYCIDYL ETHER/SODIUM HYALURONATE CROSSPOLYMER (UNII: 788QAG3W8A) |
| LEUCONOSTOC/RADISH ROOT FERMENT FILTRATE (UNII: D2QHA03458) |

Packaging

| # | Item Code | Package Description | Marketing Start Date | Marketing End Date |
|---|------------------|--|----------------------|--------------------|
| 1 | NDC:75936-606-02 | 1 in 1 CARTON | 03/17/2023 | |
| 1 | NDC:75936-606-01 | 50 mL in 1 TUBE; Type 0: Not a Combination Product | | |
| 2 | NDC:75936-606-03 | 10 mL in 1 TUBE; Type 0: Not a Combination Product | 03/17/2023 | |

Marketing Information

| Marketing Category | Application Number or Monograph Citation | Marketing Start Date | Marketing End Date |
|---------------------|--|----------------------|--------------------|
| OTC monograph final | M020 | 03/15/2023 | |

Labeler - Supergoop, LLC (117061743)