

BACITRACIN ZINC AND POLYMYXIN B SULFATE- bacitracin zinc and polymyxin b sulfate ointment
Preferred Pharmaceuticals Inc.

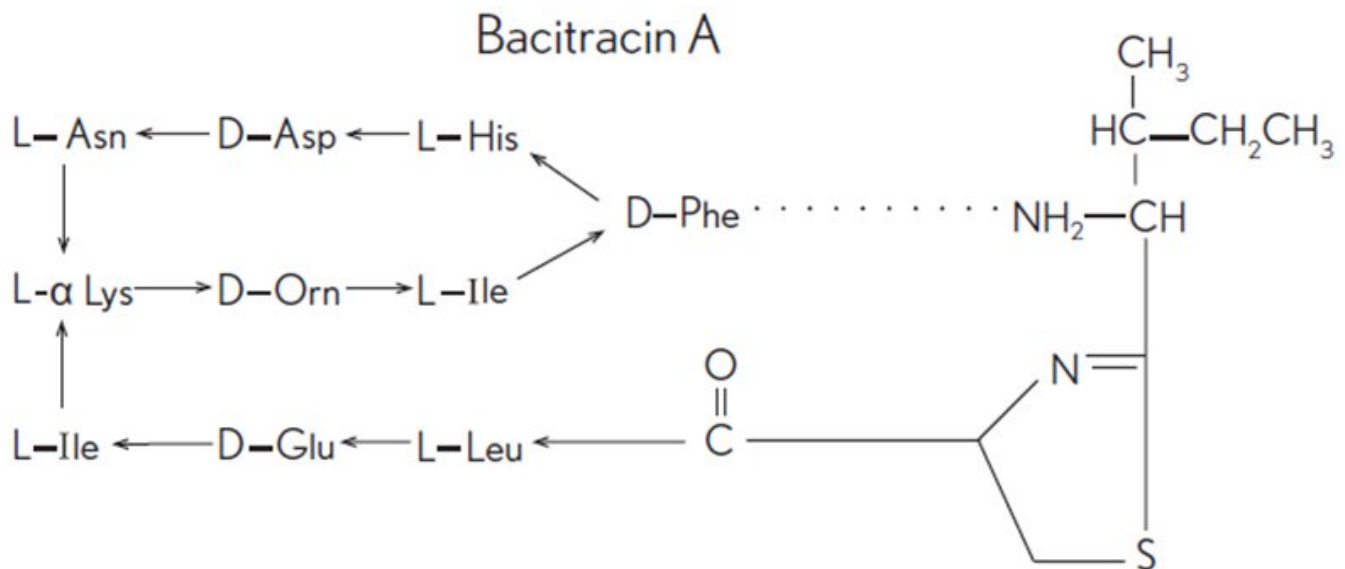
Bacitracin Zinc and Polymyxin B Sulfate
Ophthalmic Ointment, USP
(Sterile)

Rx only

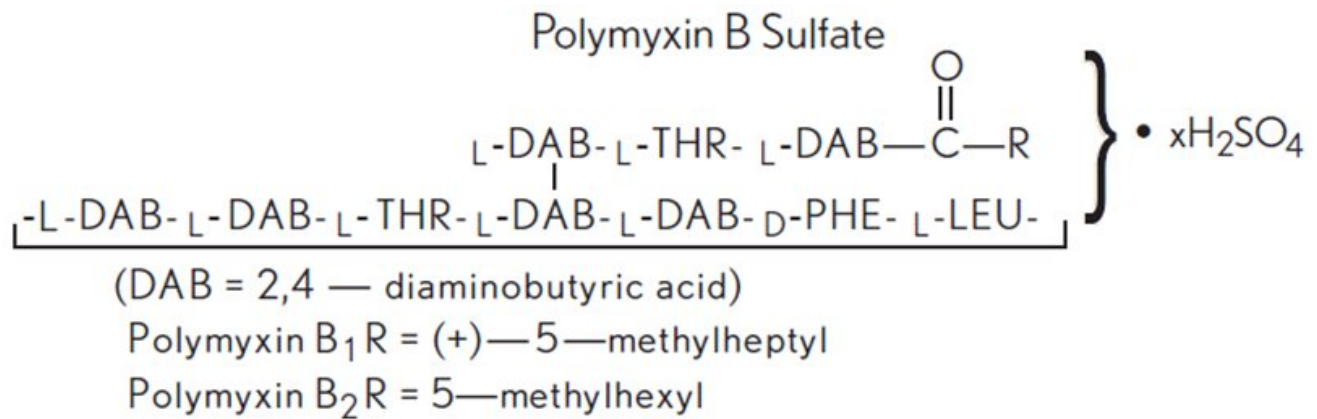
DESCRIPTION

Bacitracin zinc and polymyxin B sulfate ophthalmic ointment, USP is a sterile antimicrobial ointment formulated for ophthalmic use.

Bacitracin zinc is the zinc salt of bacitracin, a mixture of related cyclic polypeptides (mainly bacitracin A) produced by the growth of an organism of the licheniformis group of *Bacillus subtilis* var Tracy. It has a potency of not less than 40 bacitracin units/mg. The structural formula for bacitracin A is:



Polymyxin B sulfate is the sulfate salt of polymyxin B₁ and B₂, which are produced by the growth of *Bacillus polymyxa* (Prazmowski) Migula (Fam. Bacillaceae). It has a potency of not less than 6,000 polymyxin B units/mg, calculated on an anhydrous basis. The structural formulae are:



Each gram contains: Actives: bacitracin zinc equal to 500 bacitracin units and polymyxin B sulfate equal to 10,000 polymyxin B units; **Inactives:** mineral oil and white petrolatum.

CLINICAL PHARMACOLOGY

Polymyxin B sulfate attacks gram-negative bacilli, including virtually all strains of *Pseudomonas aeruginosa* and *Haemophilus influenzae* species.

Bacitracin is active against most gram-positive bacilli and cocci including hemolytic streptococci.

INDICATIONS AND USAGE

For the treatment of superficial ocular infections involving the conjunctiva and/or cornea caused by organisms susceptible to bacitracin zinc and polymyxin B sulfate.

CONTRAINDICATIONS

This product is contraindicated in those individuals who have shown hypersensitivity to any of its components.

WARNINGS

Ophthalmic ointments may retard corneal healing.

PRECAUTIONS

As with other antibiotic preparations, prolonged use may result in overgrowth of nonsusceptible organisms, including fungi. Appropriate measures should be taken if this occurs.

ADVERSE REACTIONS

To report SUSPECTED ADVERSE REACTIONS, contact Bausch & Lomb

**Incorporated at 1-800-553-5340 or FDA at 1-800-FDA-1088 or
www.fda.gov/medwatch.**

DOSAGE AND ADMINISTRATION

Apply the ointment every 3 or 4 hours for 7 to 10 days, depending on the severity of the infection.

FOR OPHTHALMIC USE ONLY

HOW SUPPLIED

Bacitracin zinc and polymyxin B sulfate ophthalmic ointment, USP is available in tubes with an ophthalmic tip applicator in the following size:

NDC 68788-7599-3 - 3.5 g tube

DO NOT USE IF CAP AND NECKRING ARE NOT INTACT.

Storage:

Store between 15°C to 25°C (59°F to 77°F). **KEEP TIGHTLY CLOSED.**

KEEP OUT OF REACH OF CHILDREN.

Distributed by:

Bausch & Lomb Americas Inc.
Bridgewater, NJ 08807 USA

Manufactured by:

Bausch & Lomb Incorporated
Tampa, FL 33637 USA

© 2022 Bausch & Lomb Incorporated or its affiliates

Relabeled By: Preferred Pharmaceuticals Inc.

Revised: May 2022

9130704 **(Folded)**

9130604 **(Flat)**

PRINCIPAL DISPLAY PANEL

NDC 68788-7599-3

**Bacitracin Zinc
and Polymyxin B
Sulfate
Ophthalmic
Ointment, USP**

(Sterile)

FOR OPHTHALMIC USE ONLY

Rx only

Net Wt. 3.5 g
(1/8 oz)

BAUSCH + LOMB

Relabeled By: Preferred Pharmaceuticals Inc.

9733301
AB07534

**Bacitracin Zinc
and Poly. B
Sulfate Opth.
Ointment**

Generic for Polysporin Ointment
Each gram contains Bacitracin Zinc eq. to 500
bacitracin units / Polymyxin B Sulfate eq. to
10,000 polymyxin B units

Pkg Size: Exp Date:
Lot#: Batch#: Ins:
Mfg: Bausch & Lomb Pharmaceuticals;
Tampa, FL
Prod#:

Warning
For ophthalmic use only. Read enclosed insert for
additional information. Store between 15°-30°C (59°-
86°F). Keep out of reach of children. Rx Only. Keep
tightly closed. Do not use if cap and necking are not
intact.



CAUTION: Federal law PROHIBITS transfer of
this drug to any person other than the patient for
whom it was prescribed



Bacitracin Zinc and Poly. B Sulfate
Opth. Ointment
Qty: Ins:
Lot#: Bat#:

Prod# (NDC):
Bacitracin Zinc and Poly. B Sulfate
Opth. Ointment
Qty: Ins:
Lot#: Bat#:
Prod# (NDC):

Bacitracin Zinc and Poly. B Sulfate
Opth. Ointment
Qty: Ins:
Insurance NDC:
Lot#: Bat#:

Bacitracin Zinc and Poly. B Sulfate
Opth. Ointment
Qty: Ins:
Lot#: Bat#:
Prod# (NDC):

Directions English
For external use only.

Instrucciones Espanol:
Para exteramente
aplique

Log

Chart

Billing

Patient

BACITRACIN ZINC AND POLYMYXIN B SULFATE

bacitracin zinc and polymyxin b sulfate ointment

Product Information

Product Type	HUMAN PRESCRIPTION DRUG	Item Code (Source)	NDC:68788-7599(NDC:24208-555)
Route of Administration	OPHTHALMIC		

Active Ingredient/Active Moiety

Ingredient Name	Basis of Strength	Strength
BACITRACIN ZINC (UNII: 89Y4M234ES) (BACITRACIN - UNII:58H6RWO52I)	BACITRACIN	500 [USP'U] in 1 g
POLYMYXIN B SULFATE (UNII: 19371312D4) (POLYMYXIN B - UNII:J2VZ07J96K)	POLYMYXIN B	10000 [USP'U] in 1 g

Inactive Ingredients

Ingredient Name	Strength
PETROLATUM (UNII: 4T6H12BN9U)	
MINERAL OIL (UNII: T5L8T28FGP)	

Packaging

#	Item Code	Package Description	Marketing Start Date	Marketing End Date
1	NDC:68788-7599-3	1 in 1 CARTON	03/27/2020	
1		3.5 g in 1 TUBE; Type 0: Not a Combination Product		

Marketing Information

Marketing Category	Application Number or Monograph Citation	Marketing Start Date	Marketing End Date
ANDA	ANDA064046	03/27/2020	

Labeler - Preferred Pharmaceuticals Inc. (791119022)

Registrant - Preferred Pharmaceuticals Inc. (791119022)

Establishment

Name	Address	ID/FEI	Business Operations
Preferred Pharmaceuticals Inc.		791119022	RELABEL(68788-7599)

Revised: 2/2024

Preferred Pharmaceuticals Inc.