

**BODY PRESCRIPTIONS ANTIBACTERIAL HAND SANITIZER DUO COCONUT
SCENTED ALOE SCENTED- alcohol
ENCHANTE ACCESSORIES INC.**

Disclaimer: Most OTC drugs are not reviewed and approved by FDA, however they may be marketed if they comply with applicable regulations and policies. FDA has not evaluated whether this product complies.

50563-291-292-293/ BUX0ABS5

BODY PRESCRIPTIONS HAND SANITIZER COCONUT SCENTED

BODY PRESCRIPTIONS HAND SANITIZER COCONUT SCENTED

Active Ingredient

Alcohol 75%

Purpose

Antiseptic

Use

- To decrease bacteria on the skin that could cause disease
- Recommended for repeated use

WARNINGS

For external use only. Flammable.

Keep away from heat or flame

When using this product, keep out of eyes, ears, and mouth.

In case of contact with eyes, rinse eyes thoroughly with water

Do not use

- in children less than 2 months of age
- on open skin wounds

Stop use and ask a doctor if skin irritation or rash occurs. These may be signs of a serious condition

Keep out of reach of children. If swallowed, get medical help or contact a Poison Control Center right away at 1-800-222-1222

Directions

Place enough product on hands to cover all surfaces. Rub hands together until dry.

Supervise children under 6 years of age when using this product to avoid swallowing

Other information

Do not store above 105F

May discolor some fabrics

Harmful to wood finishes and plastics

Inactive ingredients

Water, Glycerin, PEG-40 Hydrogenated Castor Oil, Carbomer, Fragrance, Triethanolamine

BODY PRESCRIPTIONS HAND SANITIZER ALOE SCENTED

BODY PRESCRIPTIONS HAND SANITIZER ALOE SCENTED

Active Ingredient

Alcohol 75%

Purpose

Antiseptic

Uses

- To decrease bacteria on the skin that could cause disease

■ Recommended for repeated use

Warnings

For external use only. Flammable.

Keep away from heat or flame

When using this product, keep out of eyes, ears, and mouth.

In case of contact with eyes, rinse eyes thoroughly with water

Do not use

- in children less than 2 months of age
- on open skin wounds

Stop use and ask a doctor if skin irritation or rash occurs. These may be a sign of serious condition

Keep out of reach of children. If swallowed, get medical help or contact a Poison Control Center right away at 1-800-222-1222

Directions

- Place enough product on hands to cover all surfaces. Rub hands together until dry.
- Supervise children under 6 years of age when using this product to avoid swallowing

Other Information

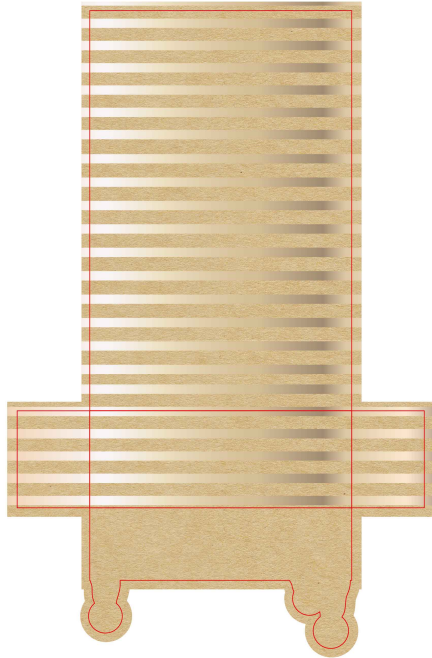
Do not store above 105F

May discolor some fabrics

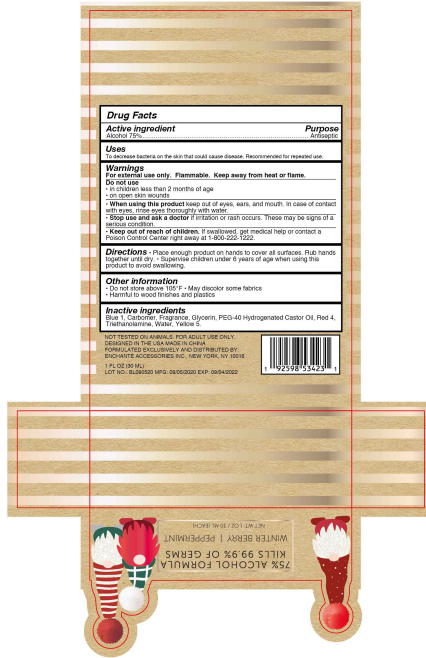
Harmful to wood finishes and plastics

Inactive Ingredients

Water, Glycerin, PEG-40 Hydrogenated Castor Oil, Carbomer, Fragrance, Triethanolamine



135x212mm



10284-6 (BUX0ABS5) -label



24*37mm 24*37mm

Drug Facts

Active ingredient Purpose
Alcohol 75%.....Antiseptic

Uses
-To decrease bacteria on the skin that could cause disease. Recommended for repeated use.

Warnings
For external use only. Flammable. Keep away from heat or flame.

Do not use
-in children less than 2 months of age
-on open skin wounds

Peel
Drug Facts (Continued)

-When using this product keep out of eyes, ears, and mouth. In case of contact with eyes, rinse eyes thoroughly with water.

-Stop use and ask a doctor if irritation or rash occurs. These may be signs of a serious condition.

-Keep out of reach of children. If swallowed, get medical help or contact a Poison Control Center right away at 1-800-222-1222.

Directions
-Place enough product on hands to cover all surfaces. Rub hands together until dry.

-Supervise children under 6 years of age when using this product to avoid swallowing.

first page second page

24*37mm

Drug Facts (Continued)

Other information
- Do not store above 105°F
- May discolor some fabrics
- Harmful to wood finishes and plastics

Inactive ingredients
Water, Glycerin, PEG-40 Hydrogenated Castor Oil, Carbomer, Fragrance, Triethanolamine.

Not tested on animals. For adult use only. Designed in the USA / Made in China Formulated exclusively and distributed by: Enchanté Accessories Inc., New York, NY 10016
1 FL OZ (30ML) LOT NO: B0912201
MFG: 0912201 EXP: 09112202

third page



24*37mm 24*37mm

Drug Facts

Active ingredient Purpose
Alcohol 75%.....Antiseptic

Uses
-To decrease bacteria on the skin that could cause disease. Recommended for repeated use.

Warnings
For external use only. Flammable. Keep away from heat or flame.

Do not use
-in children less than 2 months of age
-on open skin wounds

Peel
Drug Facts (Continued)

-When using this product keep out of eyes, ears, and mouth. In case of contact with eyes, rinse eyes thoroughly with water.

-Stop use and ask a doctor if irritation or rash occurs. These may be signs of a serious condition.

-Keep out of reach of children. If swallowed, get medical help or contact a Poison Control Center right away at 1-800-222-1222.

Directions
-Place enough product on hands to cover all surfaces. Rub hands together until dry.

-Supervise children under 6 years of age when using this product to avoid swallowing.

first page second page

24*37mm

Drug Facts (Continued)

Other information
- Do not store above 105°F
- May discolor some fabrics
- Harmful to wood finishes and plastics

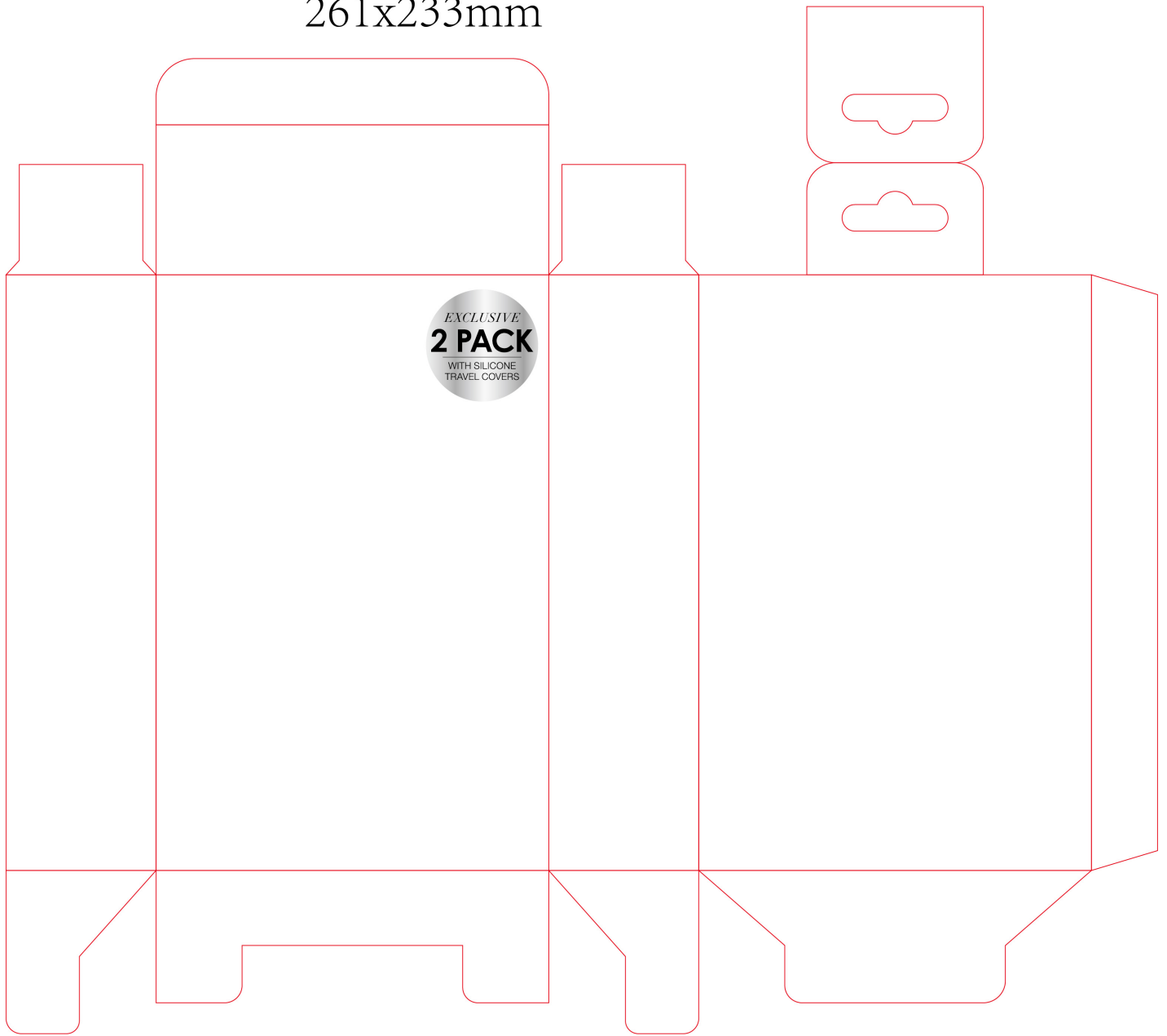
Inactive ingredients
Water, Glycerin, PEG-40 Hydrogenated Castor Oil, Carbomer, Fragrance, Triethanolamine.

Not tested on animals. For adult use only. Designed in the USA / Made in China Formulated exclusively and distributed by: Enchanté Accessories Inc., New York, NY 10016
1 FL OZ (30ML) LOT NO: B0912202
MFG: 0912202 EXP: 09112202

third page

10284-6 (BUX0ABS5) -box

261x233mm



**BODY PRESCRIPTIONS ANTIBACTERIAL HAND SANITIZER DUO COCONUT
SCENTED ALOE SCENTED**

alcohol kit

Product Information

Product Type	HUMAN OTC DRUG	Item Code (Source)	NDC:50563-293
---------------------	----------------	---------------------------	---------------

Packaging

#	Item Code	Package Description	Marketing Start Date	Marketing End Date
1	NDC:50563-293-01	1 in 1 KIT	10/06/2020	

Quantity of Parts

Part #	Package Quantity	Total Product Quantity
Part 1	1 BOTTLE	30 mL
Part 2	1 BOTTLE	30 mL

Part 1 of 2**BODY PRESCRIPTIONS HAND SANITIZER COCONUT SCENTED**

alcohol solution

Product Information

Item Code (Source)	NDC:50563-291
Route of Administration	TOPICAL

Active Ingredient/Active Moiety

Ingredient Name	Basis of Strength	Strength
ALCOHOL (UNII: 3K9958V90M) (ALCOHOL - UNII:3K9958V90M)	ALCOHOL	75 mL in 100 mL

Inactive Ingredients

Ingredient Name	Strength
WATER (UNII: 059QF0KO0R)	
GLYCERIN (UNII: PDC6A3C0OX)	
CARBOMER 940 (UNII: 4Q93RCW27E)	
TROLAMINE (UNII: 9O3K93S3TK)	
POLYOXYL 40 HYDROGENATED CASTOR OIL (UNII: 7YC686GQ8F)	

Packaging

#	Item Code	Package Description	Marketing Start Date	Marketing End Date
1	NDC:50563-291-01	30 mL in 1 BOTTLE; Type 1: Convenience Kit of Co-Package		

Marketing Information

Marketing Category	Application Number or Monograph Citation	Marketing Start Date	Marketing End Date
OTC monograph not final	part333A	10/06/2020	

Part 2 of 2

BODY PRESCRIPTIONS HAND SANITIZER ALOE SCENTED

alcohol solution

Product Information

Item Code (Source)	NDC:50563-292
Route of Administration	TOPICAL

Active Ingredient/Active Moiety

Ingredient Name	Basis of Strength	Strength
ALCOHOL (UNII: 3K9958V90M) (ALCOHOL - UNII:3K9958V90M)	ALCOHOL	75 mL in 100 mL

Inactive Ingredients

Ingredient Name	Strength
WATER (UNII: 059QF0KO0R)	
GLYCERIN (UNII: PDC6A3C0OX)	
CARBOMER 940 (UNII: 4Q93RCW27E)	
TROLAMINE (UNII: 9O3K93S3TK)	
POLYOXYL 40 HYDROGENATED CASTOR OIL (UNII: 7YC686GQ8F)	

Packaging

#	Item Code	Package Description	Marketing Start Date	Marketing End Date
1	NDC:50563-292-01	30 mL in 1 BOTTLE; Type 1: Convenience Kit of Co-Package		

Marketing Information

Marketing Category	Application Number or Monograph Citation	Marketing Start Date	Marketing End Date
OTC monograph not final	part333A	10/06/2020	

Marketing Information

Marketing Category	Application Number or Monograph Citation	Marketing Start Date	Marketing End Date
OTC monograph not final	part333A	10/06/2020	

Labeler - ENCHANTE ACCESSORIES INC. (186050696)

Establishment

Name	Address	ID/FEI	Business Operations
Xiamen Afgamarine Biotechnology Co., Ltd.		420485152	manufacture(50563-293)

Revised: 10/2020

ENCHANTE ACCESSORIES INC.