

**HYDRATING CAMO CC CREAM SPF30 FAIR 140 W- zinc oxide, titanium dioxide, homosalate, octisalate, octocrylene cream
e.l.f. Cosmetics, Inc.**

Hydrating Camo CC Cream SPF30 Fair 140 W

Drug Facts

Active ingredients

Zinc Oxide 6.3%

Titanium Dioxide 6%

Homosalate 5%

Octisalate 4.5%

Octocrylene 3%

Purpose

Sunscreen

Use

- Helps prevent sunburn
- If used as directed with other sun protection measures (see Directions) decreases the risk of skin cancer and early skin aging caused by the sun.

Warning

For external use only.

Do not use

on damaged or broken skin.

When using this product:

- keep out of eyes. Rinse with water to remove.

Stop use and ask a doctor if:

- rash occurs.

Keep out of reach of children.

- If swallowed, get medical help or contact a Poison Control Center right away.

Directions

- Apply liberally 15 minutes before sun exposure. Reapply at least every 2 hours.

- Use water resistant sunscreen if swimming or sweating.
- **Sun Protection Measures:** Spending time in the sun increases your risk of skin cancer and early skin aging. To decrease this risk, regularly use a sunscreen with Broad Spectrum SPF value of 15 or higher and other sun protection measures including: limit time in sun, especially from 10 a.m.-2 p.m. wear long-sleeved shirts, pants, hats and sunglasses. Children under 6 months of age: ask a doctor.

Other Information

- Protect the product in this container from excessive heat and direct sun.

Inactive Ingredients

Water (Aqua) Dimethicone, Butylene Glycol, Cetyl PEG/PPG-10/1 Dimethicone, Butyloctyl Salicylate, Butylene Glycol Dicaprylate/ Dicaprate, Panthenol, Synthetic Fluorophlogopite, Polyglyceryl-4 Isostearate, Magnesium Sulfate, Acrylates/Polytrimethylsiloxymethacrylate Copolymer, Trehalose, Phenoxyethanol, Hydrated Silica, Disteardimonium Hectorite, Triethoxycaprylylsilane, Hydrogen Dimethicone, Aluminum Hydroxide, Triethyl Citrate, Ethylhexylglycerin, Caprylyl Glycol, Disodium EDTA, Tin Oxide, Tocopheryl Acetate, Tremella Fuciformis Extract, Sodium Hyaluronate, Niacinamide, Ascorbyl Palmitate, Canola Oil, Glycerin, Daucus Carota Sativa (Carrot) Seed Oil, 1,2-Hexanediol, Daucus Carota Sativa (Carrot) Root Extract, Helianthus Annuus (Sunflower) Seed Oil, Beta-Carotene, Soluble Collagen **May Contain:** Titanium Dioxide (CI 77891), Yellow Iron Oxide (CI 77492), Red Iron Oxide (CI 77491), Black Iron Oxide (CI 77499)

Questions or comments?

1-888-315-9814

Label

-FAIR 140 W-
with warm (W) golden undertones

84773

FULL COVERAGE
LONG-LASTING
DEWY FINISH

elf.

CAMO
HYDRATING
CC CREAM

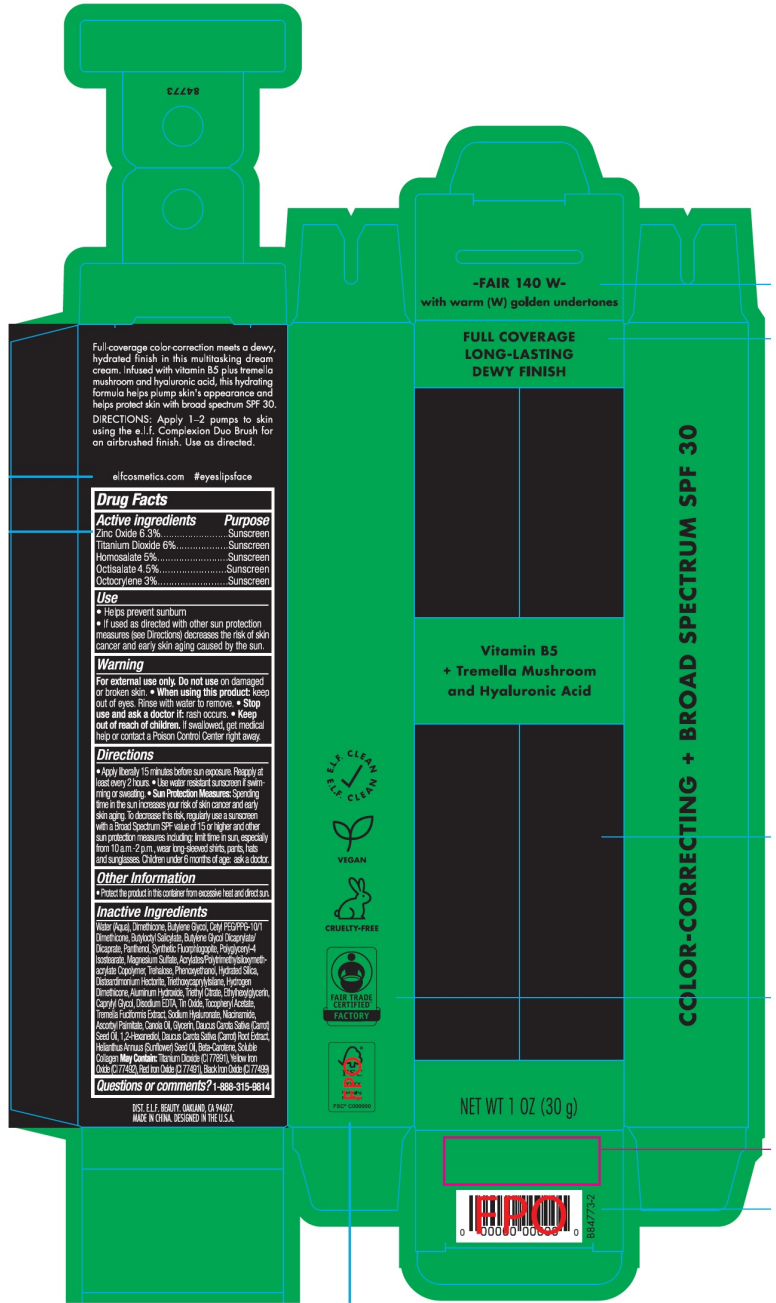
Vitamin B5
+ Tremella Mushroom
and Hyaluronic Acid

Broad Spectrum
SPF 30
Sunscreen

NET WT 1 OZ (30 g)



COLOR-CORRECTING + BROAD SPECTRUM SPF 30



-FAIR 140 W-
with warm (W) golden undertones

FULL COVERAGE
LONG-LASTING
DEWY FINISH

elf.

Vitamin B5
+ Tremella Mushroom
and Hyaluronic Acid

NET WT 1 OZ (30 g)

Full coverage color correction meets a dewy, hydrated finish in this multitasking dream cream. Infused with vitamin B5 plus tremella mushroom and hyaluronic acid, this hydrating formula helps pump skin's appearance and helps protect skin with broad spectrum SPF 30.
DIRECTIONS: Apply 1-2 pumps to skin using the e.l.f. Complexion Duo Brush for an airbrushed finish. Use as directed.

elfcosmetics.com #eyeslipsface

Drug Facts	
Active Ingredients	Purpose
Zinc Oxide 6.3%	Sunscreen
Titanium Dioxide 6%	Sunscreen
Homosalate 5%	Sunscreen
Ocylislate 4.5%	Sunscreen
Octocrylene 3%	Sunscreen

Use
• Helps prevent sunburn
• If used as directed with other sun protection measures (see Directions), decreases the risk of skin cancer and early skin aging caused by the sun.

Warning
For external use only. Do not use on damaged or broken skin. • When using this product, keep out of eyes. Rinse with water to remove. • Stop use and ask a doctor if rash occurs. • Keep out of reach of children. If swallowed, get medical help or contact a Poison Control Center right away.

Directions
• Apply liberally 15 minutes before sun exposure. Reapply at least every 2 hours. • Use water resistant sunscreen if swimming or sweating. • Sun Protection Measures: Spending time in the sun increases your risk of skin cancer and early skin aging. To decrease this risk, regularly use a sunscreen with a Broad Spectrum SPF value of 15 or higher and other sun protection measures including: limit time in sun, especially from 10 a.m. to 4 p.m., wear long sleeved shirts, pants, hats and sunglasses. Children under 6 months of age: ask a doctor.

Other Information
• Protect the product from excessive heat and direct sun.

Inactive Ingredients
Water, Glycerin, Dimethicone, Cetyl Stearyl Glycol, PEG-100 Dimethicone, Salicylic Acid, Salicylic Acid, Dispersant, Dicaprylate, Paraffin, Synthetic Fluorphlogopite, Polyglyceryl-4 Isostearate, Magnesium Stearate, Polyethylene Glycol, Dimethylsiloxane, Triethylhexanoin, Hydroxyethyl Acrylate, Dimethylsiloxane, Titanium Dioxide, Tin Oxide, Tocopheryl Acetate, Disodium Hexafluoroantimonate, Hydroxyacetone, Hydroxyacetone, Aluminum Hydroxide, Triethyl Citrate, Ethylhexylglycerin, Capryl Glycol, Dimethyl Siloxane, Tin Oxide, Tocopheryl Acetate, Tremella Fuciformis Extract, Sodium Hyaluronate, Niacinamide, Ascorbyl Palmitate, Capryl Glycol, Glyceryl Caprylate, Salicylic Acid, Stearic Acid, 1,2-Hexanediol, Dicaprylate, Dicaprylate, Capryl Glycol, Helianthus Annuus (Sunflower) Seed Oil, Beta-Carotene, Soluble Collagen, Methylparaben, Titanium Dioxide (CI 77891), Yellow Iron Oxide (CI 77492), Red Iron Oxide (CI 77491), Blue Iron Oxide (CI 77490).

Questions or comments? 1-888-315-8814

©2021 e.l.f. BEAUTY, OAKLAND, CA 94607
MADE IN CHINA, DESIGNED IN THE U.S.A.



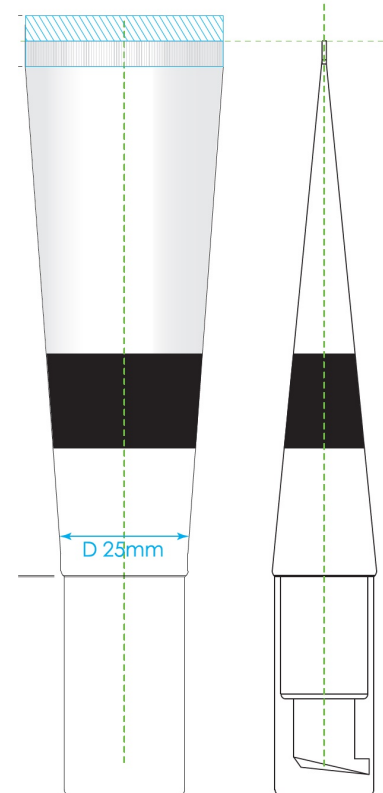
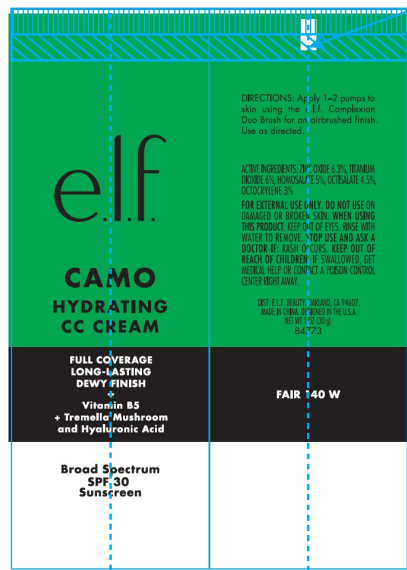
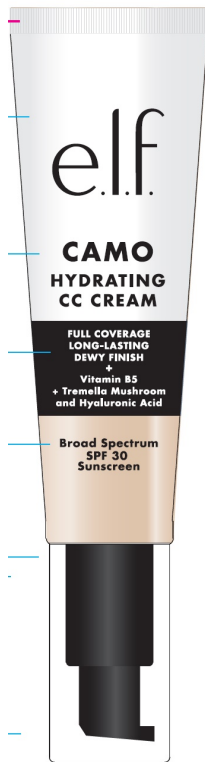
COLOR-CORRECTING + BROAD SPECTRUM SPF 30



84773

FRONT

BACK



HYDRATING CAMO CC CREAM SPF30 FAIR 140 W

zinc oxide, titanium dioxide, homosalate, octisalate, octocrylene cream

Product Information

Product Type	HUMAN OTC DRUG	Item Code (Source)	NDC:76354-773
Route of Administration	TOPICAL		

Active Ingredient/Active Moiety

Ingredient Name	Basis of Strength	Strength
ZINC OXIDE (UNII: SOI2LOH54Z) (ZINC CATION - UNII:13S1S8SF37)	ZINC CATION	63 mg in 1 g
TITANIUM DIOXIDE (UNII: 15FIX9V2JP) (TITANIUM DIOXIDE - UNII:15FIX9V2JP)	TITANIUM DIOXIDE	60 mg in 1 g
HOMOSALATE (UNII: V06S4M95S) (HOMOSALATE - UNII:V06S4M95S)	HOMOSALATE	50 mg in 1 g
OCTISALATE (UNII: 4X49Y0596W) (OCTISALATE - UNII:4X49Y0596W)	OCTISALATE	45 mg in 1 g
OCTOCRYLENE (UNII: 5A68WGF6WM) (OCTOCRYLENE - UNII:5A68WGF6WM)	OCTOCRYLENE	30 mg in 1 g

Inactive Ingredients

Ingredient Name	Strength
WATER (UNII: 059QF0KO0R)	
DIMETHICONE (UNII: 92RU3N3Y1O)	
BUTYLENE GLYCOL (UNII: 3XUS85K0RA)	
BUTYLOCTYL SALICYLATE (UNII: 2EH13UN8D3)	

BUTYLENE GLYCOL DICAPRYLATE/DICAPRATE (UNII: 75D21FL1PI)
PANTHENOL (UNII: WW9CM0067Z)
POLYGLYCERYL-4 ISOSTEARATE (UNII: 820DPX33S7)
MAGNESIUM SULFATE, UNSPECIFIED FORM (UNII: DE08037SAB)
TREHALOSE (UNII: B8WCK70T7I)
PHENOXYETHANOL (UNII: HIE492ZZ3T)
HYDRATED SILICA (UNII: Y6O7T4G8P9)
DISTEARDIMONIUM HECTORITE (UNII: X687XDK09L)
TRIETHOXYCAPRYLYLSILANE (UNII: LDC331P08E)
ALUMINUM HYDROXIDE (UNII: 5QB0T2IUN0)
TRIETHYL CITRATE (UNII: 8Z96QXD6UM)
ETHYLHEXYLGLYCERIN (UNII: 147D247K3P)
CAPRYLYL GLYCOL (UNII: 00YIU5438U)
EDETATE DISODIUM (UNII: 7FLD91C86K)
STANNIC OXIDE (UNII: KM7N50LOS6)
.ALPHA.-TOCOPHEROL ACETATE (UNII: 9E8X80D2L0)
NIACINAMIDE (UNII: 25X51I8RD4)
ASCORBYL PALMITATE (UNII: QN83US2B0N)
CANOLA OIL (UNII: 331KBJ17RK)
GLYCERIN (UNII: PDC6A3C0OX)
CARROT SEED OIL (UNII: 595AO13F11)
1,2-HEXANEDIOL (UNII: TR046Y3K1G)
CARROT (UNII: L56Z1JK48B)
SUNFLOWER OIL (UNII: 3W1JG795YI)
BETA CAROTENE (UNII: 01YAE03M7J)

Packaging

#	Item Code	Package Description	Marketing Start Date	Marketing End Date
1	NDC:76354-773-01	1 in 1 CARTON	08/15/2023	
1		30 g in 1 TUBE; Type 0: Not a Combination Product		

Marketing Information

Marketing Category	Application Number or Monograph Citation	Marketing Start Date	Marketing End Date
OTC Monograph Drug	M020	08/15/2023	

Labeler - e.l.f. Cosmetics, Inc. (093902816)