

CAMO CC CREAM SPF30 FAIR 140 W- octinoxate, titanium dioxide, zinc oxide cream
e.l.f. Cosmetics, Inc

Camo CC Cream SPF30 Fair 140 W

Drug Facts

Active ingredients

Octinoxate 7.5%

Titanium Dioxide 4.45%

Zinc Oxide 13.72%

Purpose

Sunscreen

Use

- Helps prevent sunburn
- If used as directed with other sun protection measures (see Directions) decreases the risk of skin cancer and early skin aging caused by the sun.

Warnings

For external use only.

Do not use

on damaged or broken skin.

When using this product:

keep out of eyes. Rinse with water to remove.

Stop use and ask a doctor if:

rash occurs.

Keep out of reach of children.

If swallowed, get medical help or contact a Poison Control Center right away.

Directions

- Apply liberally 15 minutes before sun exposure. Reapply at least every 2 hours.
- Use water resistant sunscreen if swimming or sweating.

- Spending time in the sun increases your risk cancer and early skin aging. To decrease this risk, regularly use a sunscreen with a Broad Spectrum SPF value of 15 or higher and other sun protection measures including: limit time in sun, especially from 10 a.m.-2 p.m., wear long-sleeved shirts, pants, hats and sunglasses. Children under 6 months of age: ask a doctor. **Sun protection Measures:**

Other Information

- Protect the product in this container from excessive heat and direct sun

Inactive Ingredients

Water (Aqua), Dimethicone, Cyclopentasiloxane, Butylene Glycol, Phenyl Trimethicone, Cetyl PEG/PPG-10/1 Dimethicone, Butylene Glycol Dicaprylate/Dicaprate, Butyloctyl Salicylate, Polyglyceryl-4 Isostearate, Methyl Methacrylate Crosspolymer, Cyclohexasiloxane, Acrylates/Polytrimethylsiloxymethacrylate Copolymer, Hexyl Laurate, Magnesium Sulfate, Phenoxyethanol, Triethoxycaprylsilane, Disteardimonium Hectorite, Hydrated Silica, Aluminum Hydroxide, Propylene Carbonate, Dimethicone/Methicone Copolymer, Caprylyl Glycol, Ethylhexylglycerin, Disodium EDTA, Tocopheryl Acetate, Sodium hyaluronate, Niacinamide, Panthenol, Ascorbyl Palmitate, Soluble Collagen, Canola Oil, Glycerin, Daucus Carota Sativa (Carrot) Seed Oil, Carbomer, Daucus Carota Sativa (Carrot) Root Extract, Helianthus Annuus (Sunflower) Seed Oil, Beta-Carotene, Polysorbate20, Palmitoyl Tripeptide-1, Palmitoyl Tetrapeptide-7, 1,2-Hexanediol May Contain: Titanium Dioxide (CI77891), Yellow Iron Oxide (CI77492), Red Iron Oxide (CI 77491), Black Iron Oxide (CI77499)

Questions or comments?

1-888-315-9814

Package Labeling:



84911

**COLOR CORRECTING
FULL-COVERAGE
NATURAL FINISH**

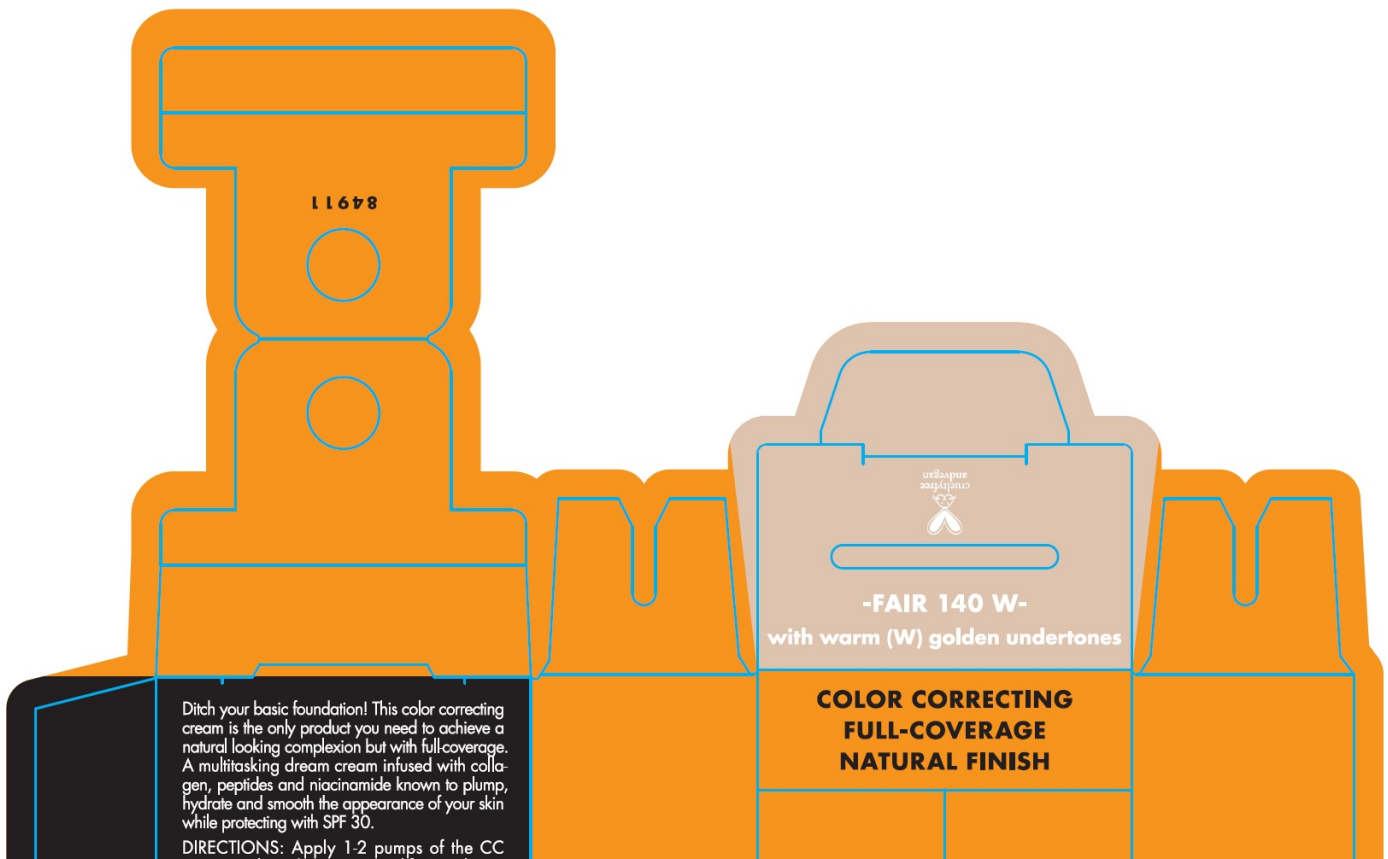
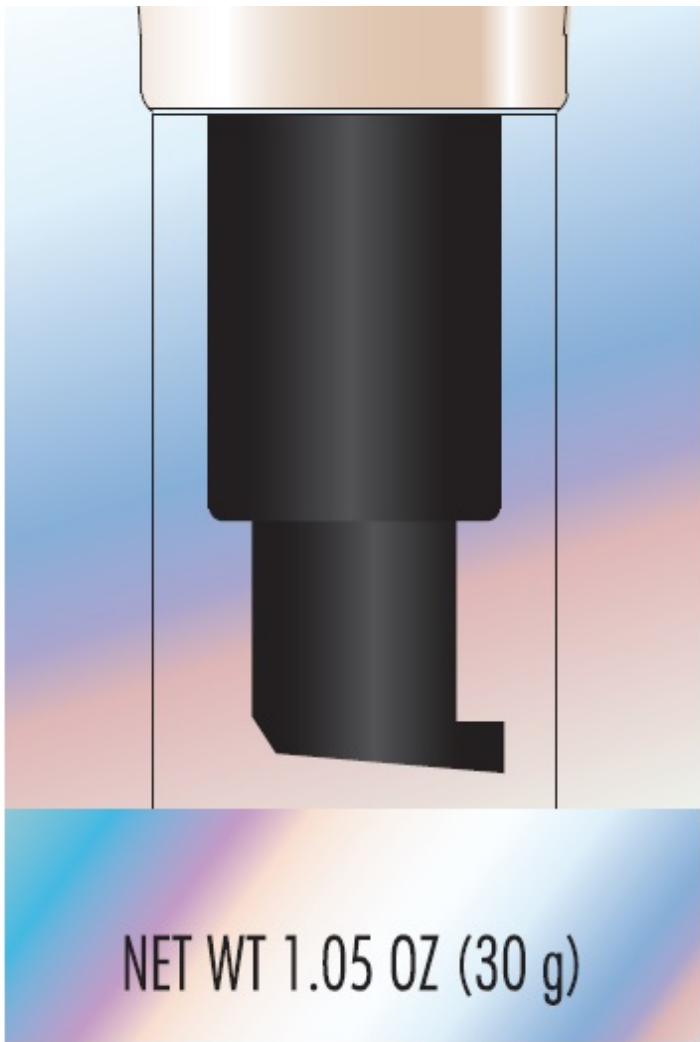
e.l.f.

**CAMO
CC CREAM**

**Skin-loving ingredients
Collagen, Peptides
& Niacinamide**

**Broad Spectrum
SPF 30
Sunscreen**

CAMO CC CREAM



Cream to clean skin using our e.l.f. Complexion Duo Brush to achieve an airbrushed finish. Wear as a moisturizer and full-coverage foundation depending on your needs.

elfcosmetics.com #eyeslipsface

Drug Facts

Active ingredients	Purpose
Octinoxate 7.5%.....	Sunscreen
Titanium Dioxide 4.45%.....	Sunscreen
Zinc Oxide 13.72%.....	Sunscreen

Use

• Helps prevent sunburn
 • If used as directed with other sun protection measures (see Directions) decreases the risk of skin cancer and early skin aging caused by the sun.

Warning

For external use only. Do not use on damaged or broken skin. • When using this product: keep out of eyes. Rinse with water to remove. • Stop use and ask a doctor if: rash occurs. • Keep out of reach of children. If swallowed, get medical help or contact a Poison Control Center right away.

Directions

• Apply liberally 15 minutes before sun exposure. Reapply at least every 2 hours. • Use water resistant sunscreen if swimming or sweating. • Sun Protection Measures: Spending time in the sun increases your risk of skin cancer and early skin aging. To decrease this risk, regularly use a sunscreen with a Broad Spectrum SPF value of 15 or higher and other sun protection measures including: limit time in sun, especially from 10 a.m. - 2 p.m., wear long-sleeved shirts, pants, hats and sunglasses. Children under 6 months of age: ask a doctor.

Other Information

• Protect the product in this container from excessive heat and direct sun.

Inactive Ingredients

Water (Aqua), Dimethicone, Cyclopentasiloxane, Butylene Glycol, Phenyl Trimethicone, Cetyl PEG/PPG-10/1 Dimethicone, Butylene Glycol Dicaprylate/Dicaprate, Butyloctyl Salicylate, Polyglyceryl-4 Isostearate, Methyl Methacrylate Crosspolymer, Cyclohexasiloxane, Acrylates/Polytrimethylsiloxy methacrylate Copolymer, Hexyl Laurate, Magnesium Sulfate, Phenoxyethanol, Triethoxycaprylsilane, Disteardimonium Hectorite, Hydrated Silica, Aluminum Hydroxide, Propylene Carbonate, Dimethicone/Methicone Copolymer, Caprylyl Glycol, Ethylhexylglycerin, Disodium EDTA, Tocopherol Acetate, Sodium Hyaluronate, Niacinamide, Panthenol, Ascorbyl Palmitate, Soluble Collagen, Carotol Oil, Glycerin, Daucus Carota Sativa (Carrot) Seed Oil, Carbomer, Daucus Carota Sativa (Carrot) Root Extract, Helianthus Annuus (Sunflower) Seed Oil, Beta-Carotene, Polysorbate 20, Palmitoyl Tripeptide-1, Palmitoyl Tetrapeptide-7, 1,2-Hexanediol. **May Contain:** Titanium Dioxide (CI 77891), Yellow Iron Oxide (CI 77492), Red Iron Oxide (CI 77491), Black Iron Oxide (CI 77499)

Questions or comments? 1-888-315-9814

DIST. E.L.F. COSMETICS, INC. OAKLAND, CA 94607.
 MADE IN CHINA. DESIGNED IN THE U.S.A.



CAMO CC CREAM

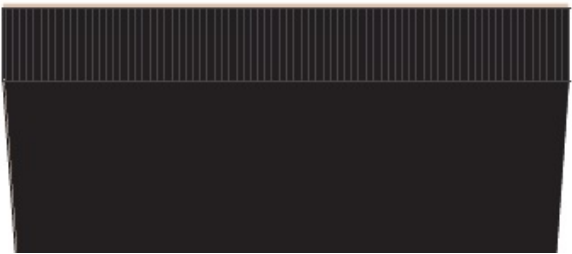
CAMO CC CREAM

Skin-loving ingredients
 Collagen, Peptides
 & Niacinamide

NET WT 1.05 OZ (30 g)



884911-1



DIRECTIONS: Apply 1-2 pumps of the CC Cream to clean skin using our e.l.f. Complexion Duo Brush to achieve an airbrushed finish. Wear as a moist-

elf

**CAMO
CC CREAM**

**COLOR CORRECTING
FULL-COVERAGE
NATURAL FINISH
+
Collagen, Peptides
& Niacinamide**

**Broad Spectrum
SPF 30
Sunscreen**

an emulsion which provides a moisturizer and full-coverage foundation depending on your needs. Apply liberally 15 minutes before sun exposure. Reapply at least every 2 hours.

**ACTIVE INGREDIENTS: OCTINOXATE 7.5%,
TITANIUM DIOXIDE 4.45%, ZINC OXIDE 13.72%**

**FOR EXTERNAL USE ONLY. DO NOT USE ON
DAMAGED OR BROKEN SKIN. WHEN USING
THIS PRODUCT: KEEP OUT OF EYES. RINSE WITH
WATER TO REMOVE. STOP USE AND ASK A
DOCTOR IF: RASH OCCURS. KEEP OUT OF
REACH OF CHILDREN. IF SWALLOWED, GET
MEDICAL HELP OR CONTACT A POISON CONTROL
CENTER RIGHT AWAY.**

**DIST. E.L.F. COSMETICS, INC. OAKLAND,
CA 94607. MADE IN CHINA. DESIGNED
IN THE U.S.A. NET WT 1.05 OZ (30 g)
84911**

FAIR 140 W

CAMO CC CREAM SPF30 FAIR 140 W

octinoxate, titanium dioxide, zinc oxide cream

Product Information

Product Type	HUMAN OTC DRUG	Item Code (Source)	NDC:76354-911
Route of Administration	TOPICAL		

Active Ingredient/Active Moiety

Ingredient Name	Basis of Strength	Strength
OCTINOXATE (UNII: 4Y5P7MUD51) (OCTINOXATE - UNII:4Y5P7MUD51)	OCTINOXATE	75 mg in 1 g
TITANIUM DIOXIDE (UNII: 15FIX9V2JP) (TITANIUM DIOXIDE - UNII:15FIX9V2JP)	TITANIUM DIOXIDE	44.5 mg in 1 g
ZINC OXIDE (UNII: SOI2LOH54Z) (ZINC CATION - UNII:13S1S8SF37)	ZINC CATION	137.2 mg in 1 g

Inactive Ingredients

Ingredient Name	Strength
WATER (UNII: 059QF0KO0R)	
DIMETHICONE (UNII: 92RU3N3Y1O)	
CYCLOMETHICONE 5 (UNII: 0THT5PCI0R)	
BUTYLENE GLYCOL (UNII: 3XUS85K0RA)	
PHENYL TRIMETHICONE (UNII: DR0K5NOJ4R)	
BUTYLENE GLYCOL DICAPRYLATE/DICAPRATE (UNII: 75D21FL1PI)	
BUTYLOCTYL SALICYLATE (UNII: 2EH13UN8D3)	
POLYGLYCERYL-4 ISOSTEARATE (UNII: 820DPX33S7)	
HEXYL LAURATE (UNII: 4CG9F9W01Q)	
MAGNESIUM SULFATE, UNSPECIFIED FORM (UNII: DE08037SAB)	
PHENOXYETHANOL (UNII: HIE492ZZ3T)	
TRIETHOXYCAPRYLYLSILANE (UNII: LDC331P08E)	
DISTEARDIMONIUM HECTORITE (UNII: X687XDK09L)	
HYDRATED SILICA (UNII: Y6O7T4G8P9)	
ALUMINUM HYDROXIDE (UNII: 5QB0T2IUN0)	
PROPYLENE CARBONATE (UNII: 8D08K3S51E)	
CAPRYLYL GLYCOL (UNII: 00YIU5438U)	
ETHYLHEXYLGLYCERIN (UNII: 147D247K3P)	
EDETATE DISODIUM ANHYDROUS (UNII: 8NLQ36F6MM)	
.ALPHA.-TOCOPHEROL ACETATE (UNII: 9E8X80D2L0)	
HYALURONATE SODIUM (UNII: YSE9PPT4TH)	
NIACINAMIDE (UNII: 25X51I8RD4)	
PANTHENOL (UNII: WW9CM0O67Z)	
ASCORBYL PALMITATE (UNII: QN83US2B0N)	
CANOLA OIL (UNII: 331KBJ17RK)	
GLYCERIN (UNII: PDC6A3C0OX)	
CARROT SEED OIL (UNII: 595AO13F11)	
CARBOMER HOMOPOLYMER, UNSPECIFIED TYPE (UNII: 0A5MM307FC)	
CARROT (UNII: L56Z1JK48B)	
SUNFLOWER OIL (UNII: 3W1JG795YI)	

BETA CAROTENE (UNII: 01YAE03M7J)	
POLYSORBATE 20 (UNII: 7T1F30V5YH)	
PALMITOYL TRIPEPTIDE-1 (UNII: RV743D216M)	
PALMITOYL TETRAPEPTIDE-7 (UNII: Q41S464P1R)	
FERRIC OXIDE YELLOW (UNII: EX438O2MRT)	
FERRIC OXIDE RED (UNII: 1K09F3G675)	
FERROSFERRIC OXIDE (UNII: XM0M87F357)	

Packaging

#	Item Code	Package Description	Marketing Start Date	Marketing End Date
1	NDC:76354-911-01	1 in 1 BOX	09/01/2020	
1		30 g in 1 BOTTLE; Type 0: Not a Combination Product		

Marketing Information

Marketing Category	Application Number or Monograph Citation	Marketing Start Date	Marketing End Date
OTC Monograph Drug	M020	09/01/2020	

Labeler - e.l.f. Cosmetics, Inc (093902816)

Establishment

Name	Address	ID/FEI	Business Operations
Zhejiang Ayan Biotech Co.,Ltd.		544377996	manufacture(76354-911)

Revised: 11/2023

e.l.f. Cosmetics, Inc