

**FOREVER TRANSFER-PROOF - 24H FOUNDATION HIGH PERFECTION
CONCENTRATED FLORAL SKINCARE WITH SUNSCREEN BROAD SPECTRUM SPF
15 OCR- octisalate, titanium dioxide emulsion
Parfums Christian Dior**

**FOREVER Transfer-proof - 24h foundation High perfection Concentrated floral
skincare with sunscreen Broad spectrum SPF 15 OCR**

Drug Facts

Active ingredients

Octinoxate 3.50 %

Titanium Dioxide 3.76 %

Purpose

Sunscreen

Uses

- Helps prevent sunburn.
- If used as directed with other sun protection measures (), decreases the risk of skin cancer and early skin aging caused by the sun. **see *Directions***

Warnings

For external use only.

Do not use

on damaged or broken skin.

When using this product,

keep out of eyes. Rinse with water to remove.

Stop use and ask a doctor if

rash occurs.

Keep out of reach of children.

If swallowed, get medical help or contact a Poison Control Center right away.

Directions

- Apply liberally 15 minutes before sun exposure.
- Reapply at least every 2 hours.

- Use a water-resistant sunscreen if swimming or sweating.
- Spending time in the sun increases your risk of skin cancer and early skin aging. To decrease this risk, regularly use a sunscreen with a broad spectrum SPF of 15 or higher and other sun protection measures including: **Sun Protection Measures.**
- limit time in the sun, especially from 10 a.m. - 2 p.m.
- wear long-sleeve shirts, pants, hats, and sunglasses.
- Children under 6 months of age: ask a doctor.

Other information

- Protect the product in this container from excessive heat and direct sun.

Inactive ingredients

AQUA (WATER) • METHYL TRIMETHICONE • ISODODECANE • ALCOHOL • BUTYLENE GLYCOL • PEG-9 POLYDIMETHYLSILOXYETHYL DIMETHICONE • SYNTHETIC FLUORPHLOGOPITE • ACRYLATES/POLYTRIMETHYLSILOXYMETHACRYLATE COPOLYMER • SILICA • DIMETHICONE • ACRYLATES/DIMETHICONE COPOLYMER • DISTEARDIMONIUM HECTORITE • POLYGLYCERYL-10 DECAISOSTEARATE • CETYL DIMETHICONE • SODIUM MYRISTOYL GLUTAMATE • PARFUM (FRAGRANCE) • PROPYLENE CARBONATE • CHLORPHENESIN • ALUMINA • STEARIC ACID • ALUMINUM HYDROXIDE • TROMETHAMINE • HYDROLYZED VIOLA TRICOLOR EXTRACT • TOCOPHEROL • TROPAEOLUM MAJUS FLOWER/LEAF/STEM EXTRACT • ROSA MULTIFLORA FRUIT EXTRACT • 1,2-HEXANEDIOL • CAPRYLYL GLYCOL • IRIS FLORENTINA ROOT EXTRACT • SODIUM BENZOATE • POTASSIUM SORBATE. [MAY CONTAIN : CI 77491, CI 77492, CI 77499 (IRON OXIDES), CI 77891 (TITANIUM DIOXIDE)].

N° 15866/Z

Package Labeling:30ml

FOREVER
OCR
COOL ROSE

Drug Facts

Active ingredients **Purpose**
 Octisalate 3.50 % }Sunscreen
 Titanium Dioxide 3.76 % }

Uses

- Helps prevent sunburn.
- If used as directed with other sun protection measures (see *Directions*), decreases the risk of skin cancer and early skin aging caused by the sun.

Warnings

For external use only.

Do not use on damaged or broken skin.

When using this product, keep out of eyes. Rinse with water to remove.

Stop use and ask a doctor if rash occurs.

Keep out of reach of children.

If swallowed, get medical help or contact a Poison Control Center right away.

Directions

- Apply liberally 15 minutes before sun exposure.
- Reapply at least every 2 hours.
- Use a water-resistant sunscreen if swimming or sweating.
- **Sun Protection Measures.** Spending time in the sun increases your risk of skin cancer and early skin aging. To decrease this risk, regularly use a sunscreen with a broad spectrum SPF of 15 or higher and other sun protection measures including:
 - limit time in the sun, especially from 10 a.m. – 2 p.m.
 - wear long-sleeve shirts, pants, hats, and sunglasses.
 - Children under 6 months of age: ask a doctor.

Other information

- Protect the product in this container from excessive heat and direct sun.

CET ARTICLE NE PEUT ÊTRE VENDU QUE PAR LES DISTRIBUTEURS AGRÉÉS DES Parfums Christian Dior



Dior

dior

FOREVER

TRANSFER-PROOF - 24H FOUNDATION
 HIGH PERFECTION
 CONCENTRATED FLORAL SKINCARE
 WITH SUNSCREEN

BROAD SPECTRUM SPF 15

30 ml 1 FL.OZ

Drug Facts
(continued)

Inactive ingredients

AQUA (WATER) • METHYL TRIMETHICONE • ISODODECANE • ALCOHOL • BUTYLENE GLYCOL • PEG-9 POLY-DIMETHYLSILOXYETHYL DIMETHICONE • SYNTHETIC FLUORPHLOGOPITE • ACRYLATES/POLYTRIMETHYLSILOXYMETHACRYLATE COPOLYMER • SILICA • DIMETHICONE • ACRYLATES/DIMETHICONE COPOLYMER • DISTEARDIMONIUM HECTORITE • POLYGLYCERYL-10 DECAISOSTEARATE • CETYL DIMETHICONE • SODIUM MYRISTOYL GLUTAMATE • PARFUM (FRAGRANCE) • PROPYLENE CARBONATE • CHLORPHENESIN • ALUMINA • STEARIC ACID • ALUMINUM HYDROXIDE • TROMETHAMINE • HYDROLYZED VIOLET TRICOLOR EXTRACT • TOCOPHEROL • TROPAEOLIUM MAJUS FLOWER/LEAF/STEM EXTRACT • ROSA MULTIFLORA FRUIT EXTRACT • 1,2-HEXANEDIOL • CAPRYLYL GLYCOL • IRIS FLORENTINA ROOT EXTRACT • SODIUM BENZOATE • POTASSIUM SORBATE

[MAY CONTAIN: CI 77491, CI 77492, CI 77489 (IRON OXIDES) • CI 77891 (TITANIUM DIOXIDE)].

N° 15966/Z

To learn more, scan the QR code.



The Dior commitment to sustainable beauty: Strict selection of ingredients.

Proven efficacy on different skin types. Packaging optimized for recyclability. Remember to sort the cardboard box and glass bottle.*

Materials chosen to reduce the environmental impact: 100% recycled plastic, 15% recycled glass, certified FSC™ Mix cardboard.

Made in France.
 * According to local recycling guidelines. 24h wear: instrumental test on 20 subjects.



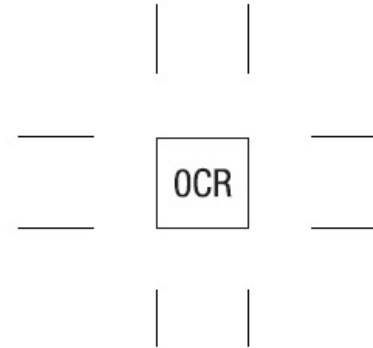
MADE IN FRANCE
 Parfums Christian Dior
 33, avenue Hoche - 75008 Paris - France
 WIS RUE UK
 In USA: 19E57 NY, NY 10022
 www.dior.com



213

74 2421 805 5

DIO 069952-002-01 18E0095A



Package Labeling:20ml

DEMONSTRATION
VENTE INTERDITE
NOT FOR SALE

ACTIVE INGREDIENTS:
OCTISALATE 3.50%
TITANIUM DIOXIDE 3.76%

SEE SALE PRODUCT
FOR COMPLETE
DRUG FACTS



MADE IN FRANCE
Parfums Christian Dior
75008 Paris - France
W1S 2UE, UK
In USA: 19E57 NY, NY 10022

20 ml - 0.67 FL.OZ



Pantone Conforme
au BAT teinte validée

Package Labeling:2.7ml

FOREVER
OCR
COOL ROSEY

40.3.2405

08DI5AG

Warnings
For external use only.
Do not use on damaged or broken skin.
When using this product, keep out of eyes. Rinse with water to remove.
Stop use and ask a doctor if rash occurs.
Keep out of reach of children. If swallowed, get medical help or contact a Poison Control Center right away.

For esthetic purposes only, quantity not sufficient for sunscreen protection.



SAMPLE - NOT FOR SALE

Dior

FOREVER

TRANSFER-PROOF
24H* FOUNDATION
HIGH PERFECTION
CONCENTRATED
FLORAL SKINCARE
WITH SUNSCREEN

BROAD SPECTRUM SPF 15

2,7 ml 0.09 FL.OZ

* Instrumental test on 20 subjects.

ACTIVE INGREDIENTS: OCTISALATE 3.50% • TITANIUM DIOXIDE 3.76%.

INACTIVE INGREDIENTS: AQUA (WATER) • METHYL TRIMETHICONE • ISODODECANE • ALCOHOL • BUTYLENE GLYCOL • PEG-9 POLYDIMETHYLSILOXYETHYL DIMETHICONE • SYNTHETIC FLUORPHLOGOPITE • ACRYLATES/POLYTRIMETHYLSILOXYMETHACRYLATE COPOLYMER • SILICA • DIMETHICONE • ACRYLATES/DIMETHICONE COPOLYMER • DISTEARDIMONIUM HECTORITE • POLYGLYCERYL-10 DECAISOSTEARATE • CETYL DIMETHICONE • SODIUM MYRISTOYL GLUTAMATE • PARFUM (FRAGRANCE) • PROPYLENE CARBONATE • CHLORPHENESIN • ALUMINA • STEARIC ACID • ALUMINUM HYDROXIDE • TROMETHAMINE • HYDROLYZED VIOLA TRICOLOR EXTRACT • TOCOPHEROL • TROPAEOLUM MAJUS FLOWER/LEAF/STEM EXTRACT • ROSA MULTIFLORA FRUIT EXTRACT • 1,2-HEXANEDIOL • CAPRYLYL GLYCOL • IRIS FLORENTINA ROOT EXTRACT • SODIUM BENZOATE • POTASSIUM SORBATE.

[MAY CONTAIN: CI 77491, CI 77492, CI 77499 (IRON OXIDES) • CI 77891 (TITANIUM DIOXIDE)]. N° 15966/Z



MADE IN FRANCE
Parfums Christian Dior
33, avenue Hoche
75008 Paris - France
In USA: 19E57 NY, NY 10022
www.dior.com

21.07

7424223764



FOREVER TRANSFER-PROOF - 24H FOUNDATION HIGH PERFECTION CONCENTRATED FLORAL SKINCARE WITH SUNSCREEN BROAD SPECTRUM SPF 15 OCR

octisalate, titanium dioxide emulsion

Product Information

Product Type	HUMAN OTC DRUG	Item Code (Source)	NDC:61957-3041
Route of Administration	TOPICAL		

Active Ingredient/Active Moiety

Ingredient Name	Basis of Strength	Strength
OCTISALATE (UNII: 4X49Y0596W) (OCTISALATE - UNII:4X49Y0596W)	OCTISALATE	35 mg in 1 mL
TITANIUM DIOXIDE (UNII: 15FIX9V2JP) (TITANIUM DIOXIDE - UNII:15FIX9V2JP)	TITANIUM DIOXIDE	37.6 mg in 1 mL

Inactive Ingredients

Ingredient Name	Strength
WATER (UNII: 059QF0KO0R)	
TOCOPHEROL (UNII: R0ZB2556P8)	

METHYL TRIMETHICONE (UNII: S73ZQI0GXM)
ISODODECANE (UNII: A8289P68Y2)
ALCOHOL (UNII: 3K9958V90M)
BUTYLENE GLYCOL (UNII: 3XUS85K0RA)
PEG-9 POLYDIMETHYLSILOXYETHYL DIMETHICONE (UNII: TYP81E471F)
SILICON DIOXIDE (UNII: ETJ7Z6XBU4)
DIMETHICONE (UNII: 92RU3N3Y1O)
2-ETHYLHEXYL ACRYLATE, METHACRYLATE, METHYL METHACRYLATE, OR BUTYL METHACRYLATE/HYDROXYPROPYL DIMETHICONE COPOLYMER (30000-300000 MW) (UNII: S7ZA3CCJ4M)
DISTEARDIMONIUM HECTORITE (UNII: X687XDK09L)
SODIUM MYRISTOYL GLUTAMATE (UNII: AYU7QD893W)
PROPYLENE CARBONATE (UNII: 8D08K3S51E)
CHLORPHENESIN (UNII: I670DAL4SZ)
ALUMINUM OXIDE (UNII: LMI26O6933)
STEARIC ACID (UNII: 4ELV7Z65AP)
ALUMINUM HYDROXIDE (UNII: 5QB0T2IUN0)
TROMETHAMINE (UNII: 023C2WHX2V)
TROPAEOLUM MAJUS FLOWERING TOP (UNII: RGT30824HY)
ROSA MULTIFLORA FRUIT (UNII: EZ5DSL4T27)
1,2-HEXANEDIOL (UNII: TR046Y3K1G)
CAPRYLYL GLYCOL (UNII: 00YIU5438U)
IRIS X GERMANICA NOTHOVAR. FLORENTINA ROOT (UNII: M30XO5X4XD)
SODIUM BENZOATE (UNII: OJ245FE5EU)
POTASSIUM SORBATE (UNII: 1VPU26JZZ4)

Packaging

#	Item Code	Package Description	Marketing Start Date	Marketing End Date
1	NDC:61957-3041-0	30 mL in 1 BOTTLE; Type 0: Not a Combination Product	01/01/2022	
2	NDC:61957-3041-1	20 mL in 1 BOTTLE; Type 0: Not a Combination Product	01/01/2022	
3	NDC:61957-3041-2	2.7 mL in 1 TUBE; Type 0: Not a Combination Product	01/01/2022	

Marketing Information

Marketing Category	Application Number or Monograph Citation	Marketing Start Date	Marketing End Date
OTC Monograph Drug	M020	01/01/2022	

Labeler - Parfums Christian Dior (275252245)