

**KIDS NASAL ALLERGY RELIEF- cardiospermum halicacabum flowering top, galphimia glauca flowering top, luffa operculata fruit and schoenocaulon officinale seed spray
Similasan AG**

Disclaimer: This homeopathic product has not been evaluated by the Food and Drug Administration for safety or efficacy. FDA is not aware of scientific evidence to support homeopathy as effective.

Kids Nasal Allergy Relief

Drug Facts

Active Ingredients

Cardiospermum 6X

Galphimia glauca 6X

Luffa operculata 6X

Sabadilla 6X

Purpose

itching, runny nose

runny nose, watery eyes, sneezing

runny nose, sinus congestion

sneezing, itching

Uses*

According to homeopathic principles, the active ingredients in this product temporarily relieve minor symptoms such as:

- allergies accompanied by runny nose, itching and/or burning of the nose, watery eyes, sneezing and swollen mucous membranes (congestion)
- post nasal drip caused by allergies
- sinus pressure caused by allergies

Warnings

- Children under 2 years of age should be seen by a physician.
- According to homeopathic principles, symptoms may temporarily worsen before improving (Initial exacerbation of symptoms).
- Replace cap tightly after every use.

- To avoid contamination, do not touch the tip of the container to any surface besides nose.
- Discard open bottle after 6 months.
- The use of this container by more than one person may spread infection.

If pregnant, trying to get pregnant or breast feeding,

ask a health professional before use.

Keep out of reach of children.

If swallowed, get medical help or contact a Poison Control Center right away.

Ask a doctor before use if you:

- are susceptible to nose bleeds
- are prone to ear, nose or throat sensitivity

Stop use and ask a doctor if:

- symptoms worsen or persist for more than 72 hours

Directions

For adults and children ages 2 and over:

- Remove tamper-evident plastic seal from bottle
- Lift cap off bottle
- Spray 1-3 times into each nostril
- Use as needed
- Replace cap after use

Other information

Active ingredients are manufactured according to homeopathic principles.

Inactive Ingredients

Purified water, Sodium chloride

Questions?

Reach our representatives at **1-800-240-9780** or getinfo@similasanusa.com.

www.SimilasanUSA.com

PRINCIPAL DISPLAY PANEL

Kids Nasal
Allergy
Relief
20 ml/ 0.68 fl oz

Kids Nasal Allergy Relief
Similasan

Drug Facts

Active Ingredients **Purpose**

Cardiospermum 6X itching, runny nose

Galphimia glauca 6X watery eyes, sneezing

Luffa operculata 6X runny nose, sinus congestion

Sabadilla 6X sneezing, itching

Uses*

According to homeopathic principles, the active ingredients in this product temporarily relieve minor symptoms such as:

- allergies accompanied by runny nose, itching and/or burning of the nose, watery eyes, sneezing and swollen mucous membranes (congestion)
- post nasal drip caused by allergies
- sinus pressure caused by allergies

Warnings

- Children under 2 years of age should be seen by a physician.
- According to homeopathic principles, symptoms may temporarily worsen before improving (initial exacerbation of symptoms).
- Replace cap tightly after every use.
- To avoid contamination, do not touch the tip of the container to any surface besides nose.
- Discard open bottle after 6 months.
- The use of this container by more than one person may spread infection.

If pregnant, trying to get pregnant or breast feeding, ask a health professional before use.

Keep out of reach of children. If swallowed, get medical help or contact a Poison Control Center right away.

Drug Facts (continued)

Ask a doctor before use if you:

- are susceptible to nose bleeds
- are prone to ear, nose or throat sensitivity

Stop use and ask a doctor if:

- symptoms worsen or persist for more than 72 hours

Directions

For adults and children ages 2 and over:

- Remove tamper-evident plastic seal from bottle
- Lift cap off bottle
- Spray 1-3 times into each nostril
- Use as needed
- Replace cap after use

Other information

Active ingredients are manufactured according to homeopathic principles.

Inactive Ingredients

Purified water, Sodium chloride

Questions?

Reach our representatives at **1-800-240-9780** or getinfo@similasanusa.com.
www.SimilasanUSA.com

For your protection do not use if tamper evident seal around neck of bottle is missing or broken.

Relief is on the way!



Similasan

Kids Nasal Allergy Relief™

NASAL MIST
PRESERVATIVE FREE

MULTI-SYMPOM ALLERGY RELIEF

- Sinus Congestion
- Itching
- Runny Nose
- Sneezing

NATURAL ACTIVE INGREDIENTS

HOMEOPATHIC
Original Swiss Formula
20 ml / 0.68 fl oz



0 94841 91004 8

unprinted/uncoated area
Falt/Lackbeschering

ES
Español

Alivio de la Alergia Nasal en Niños
Nebulización Nasal

LIBRE DE PRESERVATIVOS
INGREDIENTES ACTIVOS NATURALES

- Congestión en las senas nasales
- Picazón
- Excoriamiento nasal
- Estornudos

Instrucciones en español adentro

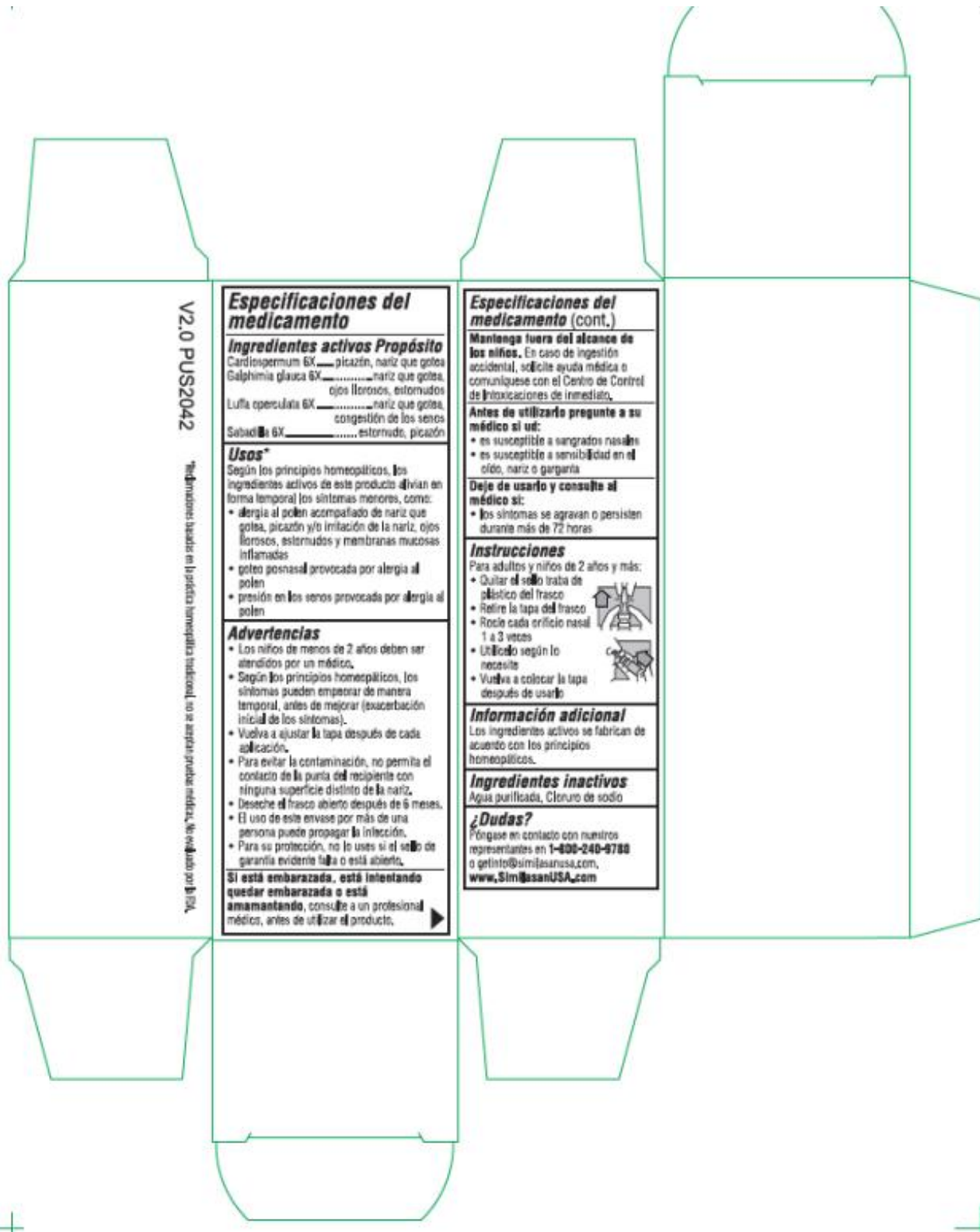
Similasan, trusted for over 40 years in Switzerland,
No Harsh Chemicals

Similasan and Similasan Kids Nasal Allergy Relief are trademarks of TFS Eye Care Management AG, Switzerland, and the Similasan logo is a registered trademark of TFS Eye Care Management AG, Switzerland. Manufactured by: Similasan AG, 8014 Jona, Switzerland. Imported and Distributed by: Similasan Corporation, Highlands Ranch, CO 80129. Made in Switzerland.

www.SimilasanUSA.com

Feel Good About Feeling Better™

← Space (at minimum 7m CVD) and labels



V2.0 PUS2042

Este medicamento basado en la práctica homeopática tradicional, no se absorbe por vía oral. Véase el folio de información para el paciente.

Especificaciones del medicamento

Ingredientes activos Propósito

Cardiospermum 6X..... picazón, nariz que gotea,
 Galphimia glauca 6X..... nariz que gotea,
 ojos llorosos, estornudos
 Luffa operculata 6X..... nariz que gotea,
 congestión de los senos
 Sabadilla 6X..... estornudo, picazón

Usos*

Según los principios homeopáticos, los ingredientes activos de este producto alivian en forma temporal los síntomas menores, como:

- **alergia al polen** acompañado de nariz que gotea, picazón y/o irritación de la nariz, ojos llorosos, estornudos y membranas mucosas inflamadas
- **goteo postnasal** provocada por alergia al polen
- **presión en los senos** provocada por alergia al polen

Advertencias

- Los niños de menos de 2 años deben ser atendidos por un médico.
- Según los principios homeopáticos, los síntomas pueden empeorar de manera temporal, antes de mejorar (exacerbación inicial de los síntomas).
- Vuelva a ajustar la tapa después de cada aplicación.
- Para evitar la contaminación, no permita el contacto de la punta del recipiente con ninguna superficie distinto de la nariz.
- Deseche el frasco abierto después de 6 meses.
- El uso de este envase por más de una persona puede propagar la infección.
- Para su protección, no lo uses si el sello de garantía evidente falta o está abierto.

Si está embarazada, está intentando quedar embarazada o está amamantando, consulte a un profesional médico, antes de utilizar el producto.

Especificaciones del medicamento (cont.)

Mantenga fuera del alcance de los niños. En caso de ingestión accidental, solicite ayuda médica o comuníquese con el Centro de Control de Intoxicaciones de inmediato.

Antes de utilizarlo pregunte a su médico si ud:

- es susceptible a sangrados nasales
- es susceptible a sensibilidad en el oído, nariz o garganta

Deje de usarlo y consulte al médico si:

- los síntomas se agravan o persisten durante más de 72 horas

Instrucciones

Para adultos y niños de 2 años y más:

- Quitar el **sello** trata de plástico del frasco
- Retire la tapa del frasco
- Rocíe cada orificio nasal 1 a 3 veces
- Utilícelo según lo necesite
- Vuelva a colocar la tapa después de usarlo



Información adicional

Los ingredientes activos se fabrican de acuerdo con los principios homeopáticos.

Ingredientes inactivos

Aguas purificadas, Cloruro de sodio

¿Dudas?

Póngase en contacto con nuestros representantes en 1-800-240-8788 o getinfo@similasanusa.com, www.SimilasanUSA.com

KIDS NASAL ALLERGY RELIEF

cardiospermum halicacabum flowering top, galphimia glauca flowering top, luffa operculata fruit and schoenocaulon officinale seed spray

Product Information

Product Type	HUMAN OTC DRUG	Item Code (Source)	NDC:53799-245
Route of Administration	NASAL		

Active Ingredient/Active Moiety

Ingredient Name	Basis of Strength	Strength
CARDIOSPERMUM HALICACABUM FLOWERING TOP (UNII: MZP2508BRR) (CARDIOSPERMUM HALICACABUM FLOWERING TOP - UNII:MZP2508BRR)	CARDIOSPERMUM HALICACABUM FLOWERING TOP	6 [hp_X] in 20 mL
GALPHIMIA GLAUCA FLOWERING TOP (UNII: 93PH5Q8M7E) (GALPHIMIA GLAUCA FLOWERING TOP - UNII:93PH5Q8M7E)	GALPHIMIA GLAUCA FLOWERING TOP	6 [hp_X] in 20 mL
LUFFA OPERCULATA FRUIT (UNII: C4MO6809HU) (LUFFA OPERCULATA FRUIT - UNII:C4MO6809HU)	LUFFA OPERCULATA FRUIT	6 [hp_X] in 20 mL
SCHOENOCAULON OFFICINALE SEED (UNII: 6NAF1689IO) (SCHOENOCAULON OFFICINALE SEED - UNII:6NAF1689IO)	SCHOENOCAULON OFFICINALE SEED	6 [hp_X] in 20 mL

Inactive Ingredients

Ingredient Name	Strength
WATER (UNII: 059QF0K00R)	
SODIUM CHLORIDE (UNII: 451W47IQ8X)	

Packaging

#	Item Code	Package Description	Marketing Start Date	Marketing End Date
1	NDC:53799-245-20	1 in 1 CARTON	04/23/2021	
1		20 mL in 1 BOTTLE, SPRAY; Type 0: Not a Combination Product		

Marketing Information

Marketing Category	Application Number or Monograph Citation	Marketing Start Date	Marketing End Date
unapproved homeopathic		04/23/2021	

Labeler - Similasan AG (481545754)

Revised: 4/2021

Similasan AG