

**HYDRATING CAMO CC CREAM SPF30 LIGHT 205 N- zinc oxide, titanium dioxide, homosalate, octisalate, octocrylene cream  
e.l.f. Cosmetics, Inc.**

-----  
**Hydrating Camo CC Cream SPF30 Light 205 N**

***Drug Facts***

***Active ingredients***

Zinc Oxide 6.3%

Titanium Dioxide 6%

Homosalate 5%

Octisalate 4.5%

Octocrylene 3%

***Purpose***

Sunscreen

***Use***

- Helps prevent sunburn
- If used as directed with other sun protection measures (see Directions) decreases the risk of skin cancer and early skin aging caused by the sun.

***Warning***

**For external use only.**

**Do not use**

on damaged or broken skin.

**When using this product:**

- keep out of eyes. Rinse with water to remove.

**Stop use and ask a doctor if:**

- rash occurs.

**Keep out of reach of children.**

- If swallowed, get medical help or contact a Poison Control Center right away.

***Directions***

- Apply liberally 15 minutes before sun exposure. Reapply at least every 2 hours.

- Use water resistant sunscreen if swimming or sweating.
- **Sun Protection Measures:** Spending time in the sun increases your risk of skin cancer and early skin aging. To decrease this risk, regularly use a sunscreen with Broad Spectrum SPF value of 15 or higher and other sun protection measures including: limit time in sun, especially from 10 a.m.-2 p.m. wear long-sleeved shirts, pants, hats and sunglasses. Children under 6 months of age: ask a doctor.

### ***Other Information***

- Protect the product in this container from excessive heat and direct sun.

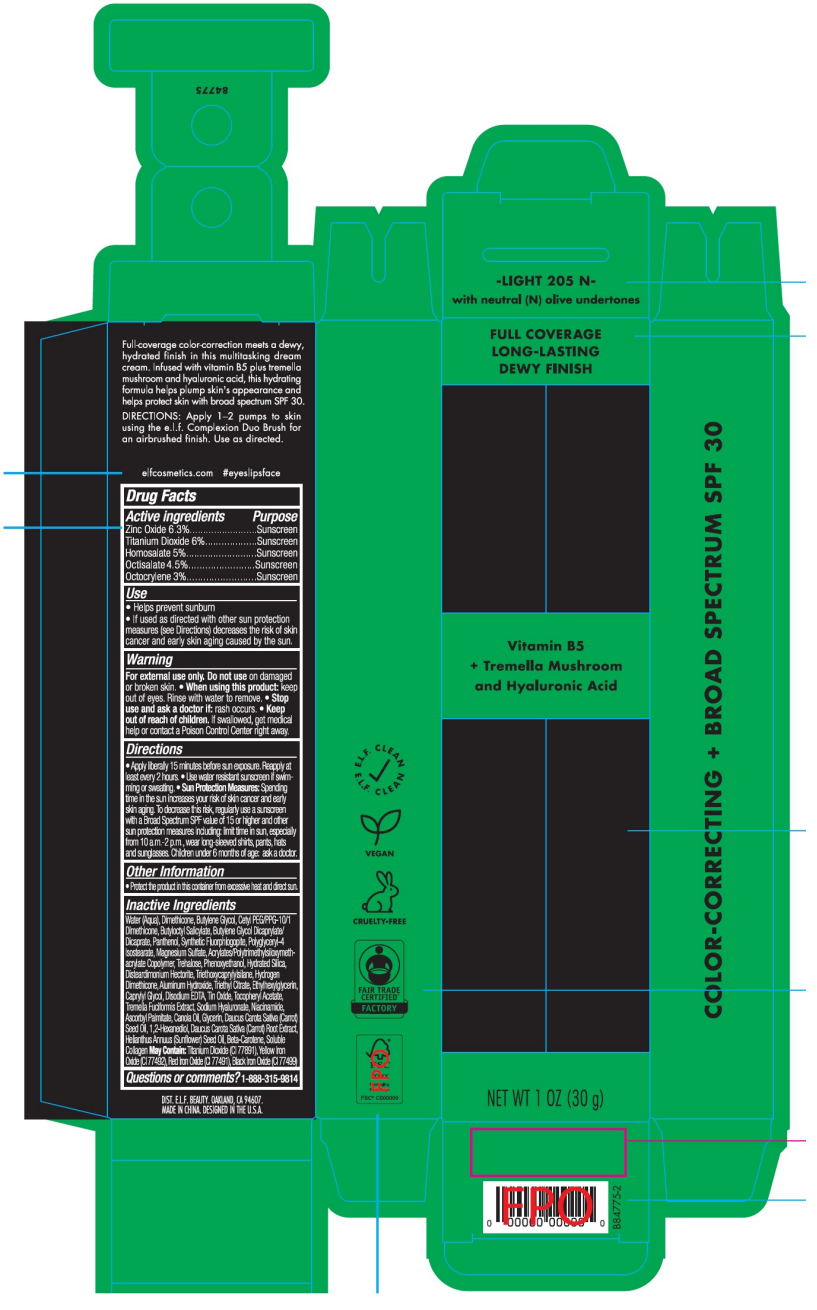
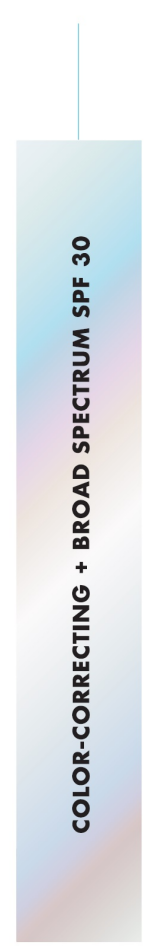
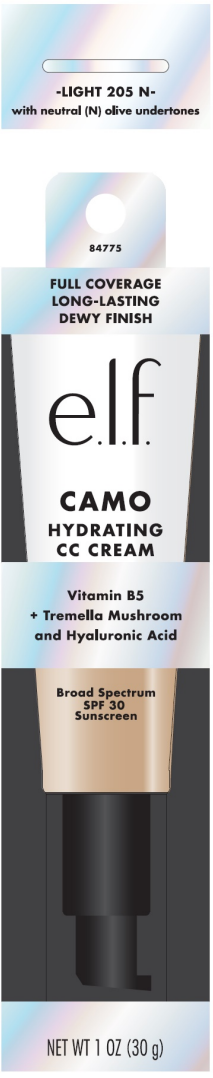
### ***Inactive Ingredients***

Water (Aqua) Dimethicone, Butylene Glycol, Cetyl PEG/PPG-10/1 Dimethicone, Butyloctyl Salicylate, Butylene Glycol Dicaprylate/ Dicaprate, Panthenol, Synthetic Fluorophlogopite, Polyglyceryl-4 Isostearate, Magnesium Sulfate, Acrylates/Polytrimethylsiloxymethacrylate Copolymer, Trehalose, Phenoxyethanol, Hydrated Silica, Disteardimonium Hectorite, Triethoxycaprylylsilane, Hydrogen Dimethicone, Aluminum Hydroxide, Triethyl Citrate, Ethylhexylglycerin, Caprylyl Glycol, Disodium EDTA, Tin Oxide, Tocopheryl Acetate, Tremella Fuciformis Extract, Sodium Hyaluronate, Niacinamide, Ascorbyl Palmitate, Canola Oil, Glycerin, Daucus Carota Sativa (Carrot) Seed Oil, 1,2-Hexanediol, Daucus Carota Sativa (Carrot) Root Extract, Helianthus Annuus (Sunflower) Seed Oil, Beta-Carotene, Soluble Collagen **May Contain:** Titanium Dioxide (CI 77891), Yellow Iron Oxide (CI 77492), Red Iron Oxide (CI 77491), Black Iron Oxide (CI 77499)

### ***Questions or comments?***

**1-888-315-9814**

### **Label**



Full coverage color correction meets a dewy, hydrated finish in this multitasking dream cream. Infused with vitamin B5 plus tremella mushroom and hyaluronic acid, this hydrating formula helps plump skin's appearance and helps protect skin with broad spectrum SPF 30.

**DIRECTIONS:** Apply 1-2 pumps to skin using the e.l.f. Complexion Duo Brush for an airbrushed finish. Use as directed.

elfcosmetics.com #eyeslipface

**Drug Facts**

Active Ingredients	Purpose
Zinc Oxide 6.3%	Sunscreen
Titanium Dioxide 6%	Sunscreen
Homosalate 5%	Sunscreen
Octisalate 4.5%	Sunscreen
Octocrylene 3%	Sunscreen

**Use**

- Helps prevent sunburn
- If used as directed with other sun protection measures (see Directions) decreases the risk of skin cancer and early skin aging caused by the sun

**Warning**

For external use only. Do not use on damaged or broken skin. • When using this product, keep out of eyes. Rinse with water to remove. • Stop use and ask a doctor if rash occurs. • Keep out of reach of children. If swallowed, get medical help or contact a Poison Control Center right away.

**Directions**

- Apply liberally 15 minutes before sun exposure. Reapply at least every 2 hours. • Use water resistant sunscreen (swimming or sweating). • Sun Protection Measures: Spending time in the sun increases your risk of skin cancer and early skin aging. To decrease this risk, regularly use a sunscreen with a Broad Spectrum SPF value of 15 or higher and other sun protection measures including: seek shade, especially from 10 a.m. to 2 p.m., wear long-sleeved shirts, pants, hats and sunglasses. Children under 6 months of age, ask a doctor.
- Protect the product in this container from excessive heat and direct sun.

**Other Information**

**Inactive Ingredients**

Water (Aqua), Dimethicone, Butylene Glycol, Cetyl PEG/PPG-10/1 Dimethicone, Butylhexyl Salicylate, Butylene Glycol Dimethylacrylate, Decyltrimethylsilyl Dimethicone, Synthetic Fluoropolymer, Polyethylene Glycol, Magnesium Sulfate, Acryloyl Dimethylammoniumpropylsulfate Copolymer, Tetrahexyl Ether Dimethyl Silica, Decyltrimethylsilyl Dimethicone, Tetrahydroxyethyl Hexasiloxane, Dimethylsiloxane, Acryloyl Dimethylammoniumpropylsulfate Copolymer, Tin Oxide, Tocopheryl Acetate, Tremella Fuciformis Extract, Sodium Hyaluronate, Neohesperidin Dihydrochalcone, Xanthan Gum, Citric Acid, Caprylyl Glycol, Stearic Acid, 1,2-Hexanediol, Decyl Dodecyl Sulfate, Camellia Seed Oil, Helianthus Annuus (Sunflower) Seed Oil, Beta-Carotene, Shikimate Polyglutamate, Titanium Dioxide (CI 77891), Nylon 10, Octyl Dimethyl Silyl Siloxane (CI 77491), Black Iron Oxide (CI 77499)

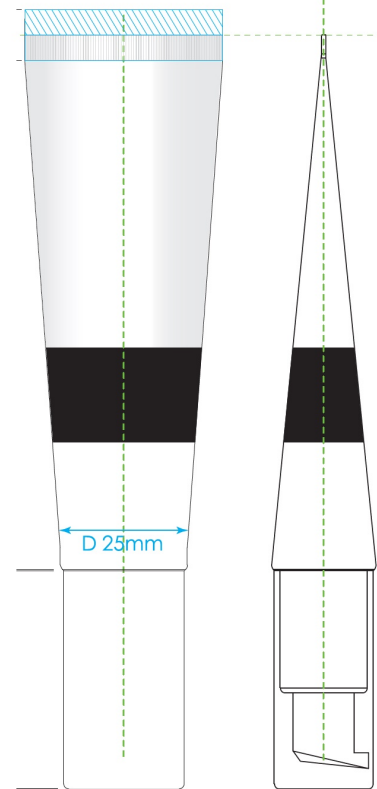
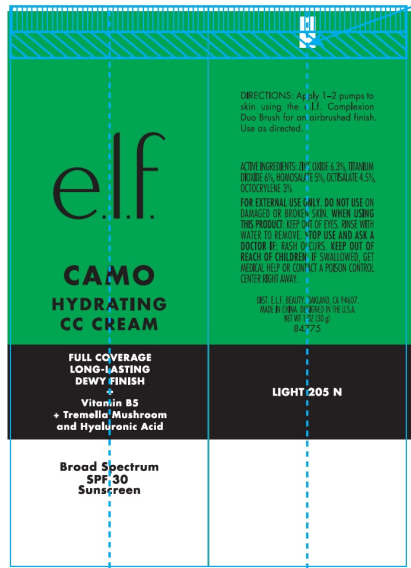
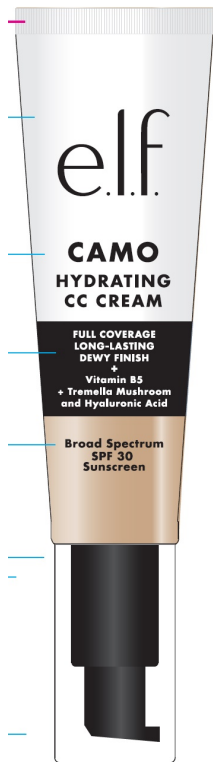
**Questions or comments? 1-888-315-9814**

©2015 e.l.f. BEAUTY COMPANY, CA 94407  
MADE IN CHINA. DESIGNED IN THE U.S.A.



FRONT

BACK



## HYDRATING CAMO CC CREAM SPF30 LIGHT 205 N

zinc oxide, titanium dioxide, homosalate, octisalate, octocrylene cream

### Product Information

<b>Product Type</b>	HUMAN OTC DRUG	<b>Item Code (Source)</b>	NDC:76354-775
<b>Route of Administration</b>	TOPICAL		

### Active Ingredient/Active Moiety

Ingredient Name	Basis of Strength	Strength
<b>ZINC OXIDE</b> (UNII: SOI2LOH54Z) (ZINC CATION - UNII:13S1S8SF37)	ZINC CATION	63 mg in 1 g
<b>TITANIUM DIOXIDE</b> (UNII: 15FIX9V2JP) (TITANIUM DIOXIDE - UNII:15FIX9V2JP)	TITANIUM DIOXIDE	60 mg in 1 g
<b>HOMOSALATE</b> (UNII: V065V4M95S) (HOMOSALATE - UNII:V065V4M95S)	HOMOSALATE	50 mg in 1 g
<b>OCTISALATE</b> (UNII: 4X49Y0596W) (OCTISALATE - UNII:4X49Y0596W)	OCTISALATE	45 mg in 1 g
<b>OCTOCRYLENE</b> (UNII: 5A68WGF6WM) (OCTOCRYLENE - UNII:5A68WGF6WM)	OCTOCRYLENE	30 mg in 1 g

### Inactive Ingredients

Ingredient Name	Strength
<b>WATER</b> (UNII: 059QF0KO0R)	
<b>DIMETHICONE</b> (UNII: 92RU3N3Y1O)	
<b>BUTYLENE GLYCOL</b> (UNII: 3XUS85K0RA)	
<b>BUTYLOCTYL SALICYLATE</b> (UNII: 2EH13UN8D3)	

<b>BUTYLENE GLYCOL DICAPRYLATE/DICAPRATE</b> (UNII: 75D21FL1PI)
<b>PANTHENOL</b> (UNII: WW9CM0067Z)
<b>POLYGLYCERYL-4 ISOSTEARATE</b> (UNII: 820DPX33S7)
<b>MAGNESIUM SULFATE, UNSPECIFIED FORM</b> (UNII: DE08037SAB)
<b>TREHALOSE</b> (UNII: B8WCK70T7I)
<b>PHENOXYETHANOL</b> (UNII: HIE492ZZ3T)
<b>HYDRATED SILICA</b> (UNII: Y6O7T4G8P9)
<b>DISTEARDIMONIUM HECTORITE</b> (UNII: X687XDK09L)
<b>TRIETHOXYCAPRYLYLSILANE</b> (UNII: LDC331P08E)
<b>ALUMINUM HYDROXIDE</b> (UNII: 5QB0T2IUN0)
<b>TRIETHYL CITRATE</b> (UNII: 8Z96QXD6UM)
<b>ETHYLHEXYLGLYCERIN</b> (UNII: 147D247K3P)
<b>CAPRYLYL GLYCOL</b> (UNII: 00YIU5438U)
<b>EDETATE DISODIUM</b> (UNII: 7FLD91C86K)
<b>STANNIC OXIDE</b> (UNII: KM7N50LOS6)
<b>.ALPHA.-TOCOPHEROL ACETATE</b> (UNII: 9E8X80D2L0)
<b>HYALURONATE SODIUM</b> (UNII: YSE9PPT4TH)
<b>NIACINAMIDE</b> (UNII: 25X51I8RD4)
<b>ASCORBYL PALMITATE</b> (UNII: QN83US2B0N)
<b>CANOLA OIL</b> (UNII: 331KBJ17RK)
<b>GLYCERIN</b> (UNII: PDC6A3C0OX)
<b>CARROT SEED OIL</b> (UNII: 595AO13F11)
<b>1,2-HEXANEDIOL</b> (UNII: TR046Y3K1G)
<b>CARROT</b> (UNII: L56Z1JK48B)
<b>SUNFLOWER OIL</b> (UNII: 3W1JG795YI)
<b>BETA CAROTENE</b> (UNII: 01YAE03M7J)

### Packaging

#	Item Code	Package Description	Marketing Start Date	Marketing End Date
1	NDC:76354-775-01	1 in 1 CARTON	08/15/2023	
1		30 g in 1 TUBE; Type 0: Not a Combination Product		

### Marketing Information

Marketing Category	Application Number or Monograph Citation	Marketing Start Date	Marketing End Date
OTC Monograph Drug	M020	08/15/2023	

**Labeler** - e.l.f. Cosmetics, Inc. (093902816)