

FOREVER SKIN GLOW 24H WEAR RADIANT FOUNDATION PERFECTION AND HYDRATION CONCENTRATED FLORAL SKINCARE WITH SUNSCREEN BROAD SPECTRUM SPF 15 1CR- octisalate, titanium dioxide emulsion
Parfums Christian Dior

Drug Facts

Active ingredients

Octinoxate 4.50 %

Titanium Dioxide 4.23 %

Purpose

Sunscreen

Uses

- Helps prevent sunburn.
- If used as directed with other sun protection measures (), decreases the risk of skin cancer and early skin aging caused by the sun. ***see Directions***

Warnings

For external use only.

Do not use

on damaged or broken skin.

When using this product,

keep out of eyes. Rinse with water to remove.

Stop use and ask a doctor if

rash occurs.

Keep out of reach of children.

If swallowed, get medical help or contact a Poison Control Center right away.

Directions

- Apply liberally 15 minutes before sun exposure.
- Reapply at least every 2 hours.
- Use a water-resistant sunscreen if swimming or sweating.
- Spending time in the sun increases your risk of skin cancer and early skin aging. To

decrease this risk, regularly use a sunscreen with a broad spectrum SPF of 15 or higher and other sun protection measures including: **Sun Protection Measures.**

- limit time in the sun, especially from 10 a.m. - 2 p.m.
- wear long-sleeve shirts, pants, hats, and sunglasses.
- Children under 6 months of age: ask a doctor.

Other information

- Protect the product in this container from excessive heat and direct sun.

Inactive ingredients

AQUA (WATER) • ALCOHOL • METHYL TRIMETHICONE • ISODODECANE • PHENYL TRIMETHICONE • GLYCERIN • PEG-9 POLYDIMETHYLSILOXYETHYL DIMETHICONE • TRIMETHYTHYL PENTAPHENYL TRISILOXANE • ACRYLATES/DIMETHICONE COPOLYMER DIMETHICONE • BUTYLENE GLYCOL • CETYL DIMETHICONE • DISTEARDIMONIUM HECTORITE • CELLULOSE • CETYL PEG/PPG-10/1 DIMETHICONE • SODIUM MYRISTOYL GLUTAMATE • PARFUM (FRAGRANCE) • PROPYLENE CARBONATE • CHLORPHENESIN • VP/VA COPOLYMER • ALUMINA • STEARIC ACID • ALUMINUM HYDROXIDE • HIBISCUS SABDARIFFA FLOWER EXTRACT • TROMETHAMINE • TOCOPHEROL • TROPAEOLUM MAJUS FLOWER/LEAF/STEM EXTRACT • HEXADECENE • HYDROLYZED VIOLA TRICOLOR EXTRACT • 1,2-HEXANEDIOL • CAPRYLYL GLYCOL • IRIS FLORENTINA ROOT EXTRACT • SODIUM BENZOATE • POTASSIUM SORBATE • PENTAERYTHRITYL TETRA DI-BUTYL HYDROXYHYDROCINNAMATE.

[MAY CONTAIN : CI 77491, CI 77492, CI 77499 (IRON OXIDES), CI 77891 (TITANIUM DIOXIDE)].

N° 15857/Z

Package Labeling:30ml

FOREVER
SKIN GLOW
1CR
COOL ROSEY / GLOW

Drug Facts

Active Ingredients **Purpose**
Octisalate 4.50 % }Sunscreen
Titanium Dioxide 4.23 % }

Uses

- Helps prevent sunburn.
- If used as directed with other sun protection measures (see *Directions*), decreases the risk of skin cancer and early skin aging caused by the sun.

Warnings

For external use only.

Do not use on damaged or broken skin.

When using this product, keep out of eyes. Rinse with water to remove.

Stop use and ask a doctor if rash occurs.

Keep out of reach of children.

If swallowed, get medical help or contact a Poison Control Center right away.

Directions

- Apply liberally 15 minutes before sun exposure.
- Reapply at least every 2 hours.
- Use a water-resistant sunscreen if swimming or sweating.
- **Sun Protection Measures.** Spending time in the sun increases your risk of skin cancer and early skin aging. To decrease this risk, regularly use a sunscreen with a broad spectrum SPF of 15 or higher and other sun protection measures including:
 - limit time in the sun, especially from 10 a.m. – 2 p.m.
 - wear long-sleeve shirts, pants, hats, and sunglasses.
 - Children under 6 months of age: ask a doctor.

Other information

- Protect the product in this container from excessive heat and direct sun.

CET ARTICLE NE PEUT ÊTRE VENDU QUE PAR LES DISTRIBUTEURS AGRÉÉS DES Parfums Christian Dior



Dior

FOREVER
SKIN GLOW

FOREVER
SKIN GLOW

24H WEAR RADIANT FOUNDATION
PERFECTION & HYDRATION
CONCENTRATED FLORAL SKINCARE
WITH SUNSCREEN

BROAD SPECTRUM SPF 15

30 ml 1 FL.OZ

Drug Facts
(continued)

Inactive ingredients

AQUA (WATER) • ALCOHOL • METHYL TRIMETHICONE • ISODODECANE • PHENYL TRIMETHICONE • GLYCERIN • PEG-9 POLYDIMETHYLSILOXYETHYL DIMETHICONE • TRIMETHYL PENTAPHENYL TRISILOXANE • ACRYLATES/DIMETHICONE COPOLYMER • DIMETHICONE • BUTYLENE GLYCOL • CETYL DIMETHICONE • DISTEARDIMONIUM HECTORITE • CELLULOSE • CETYL PEG/PPG-10/1 DIMETHICONE • SODIUM MYRISTOYL GLUTAMATE • PARFUM (FRAGRANCE) • PROPYLENE CARBONATE • CHLORPHENESIN • VP/VA COPOLYMER • ALUMINA • STEARIC ACID • ALUMINIUM HYDROXIDE • HIBISCUS SABDARIFEA FLOWER EXTRACT • TROMETHAMINE • TOCOPHEROL • TROPAEOLUM MAJUS FLOWER/LEAF/STEM EXTRACT • HEXADECENE • HYDROLYZED VIOLA TRICOLOR EXTRACT • 1,2-HEXANEDIOL • CAPRYLYL GLYCOL • IRIS FLORENTINA ROOT EXTRACT • SODIUM BENZOATE • POTASSIUM SORBATE • PENTAERYTHRITYL TETRA-DI-T-BUTYL HYDROXYHYDROCINNAMATE.
[MAY CONTAIN: CI 77491, CI 77492, CI 77493 (IRON OXIDES) • CI 77891 (TITANIUM DIOXIDE)]. N° 158577Z

To learn more, scan the QR code.



The Dior commitment to sustainable beauty: Strict selection of ingredients.

Proven efficacy on different skin types. Packaging optimized for recyclability. Remember to sort the cardboard box and glass bottle.*

Materials chosen to reduce the environmental impact: 100% recycled plastic, 40% recycled glass, certified FSC™ Mix cardboard.

Made in France.
* According to local recycling guidelines. 24h wear: instrumental test on 20 subjects.



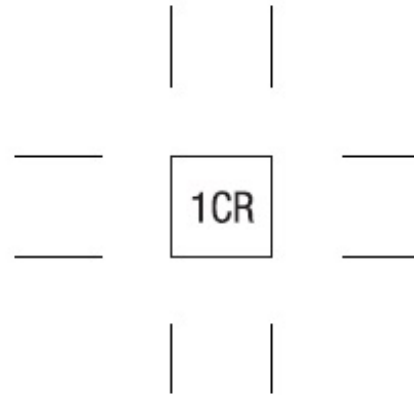
MADE IN FRANCE
Parfums Christian Dior
33, avenue Hoche - 75008 Paris - France
W1B XUE, UK
In USA: 19E57 NY, NY 10022
www.dior.com



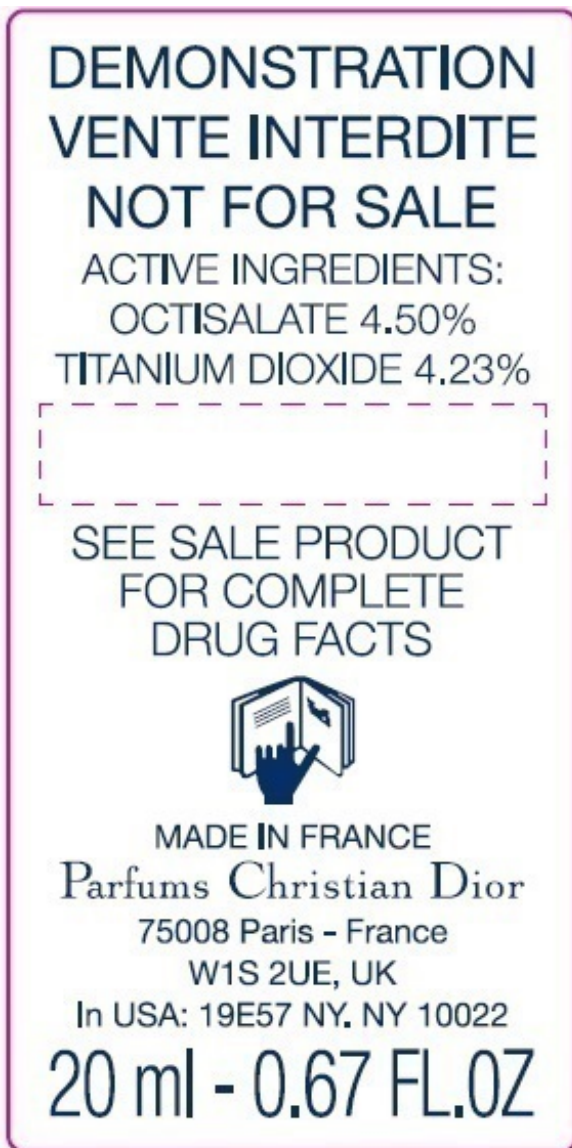
213

74 2421 807 7

DIO 069933-012-01 18E00935A



Package Labeling:20ml



7424183247

FOREVER SKIN GLOW

24H WEAR
RADIANT FOUNDATION
PERFECTION & HYDRATION
CONCENTRATED
FLORAL SKINCARE
WITH SUNSCREEN

BROAD SPECTRUM SPF 15

Dior
C223750012

FOREVER SKIN GLOW 24H WEAR RADIANT FOUNDATION PERFECTION AND HYDRATION CONCENTRATED FLORAL SKINCARE WITH SUNCREEN BROAD SPECTRUM SPF 15 1CR

octisalate, titanium dioxide emulsion

Product Information

Product Type	HUMAN OTC DRUG	Item Code (Source)	NDC:61957-3135
Route of Administration	TOPICAL		

Active Ingredient/Active Moiety

Ingredient Name	Basis of Strength	Strength
OCTISALATE (UNII: 4X49Y0596W) (OCTISALATE - UNII:4X49Y0596W)	OCTISALATE	45 mg in 1 mL
TITANIUM DIOXIDE (UNII: 15FIX9V2JP) (TITANIUM DIOXIDE - UNII:15FIX9V2JP)	TITANIUM DIOXIDE	42.3 mg in 1 mL

Inactive Ingredients

Ingredient Name	Strength
WATER (UNII: 059QF0K00R)	
ALCOHOL (UNII: 3K9958V90M)	
METHYL TRIMETHICONE (UNII: S73ZQI0GXM)	
ISODODECANE (UNII: A8289P68Y2)	
PHENYL TRIMETHICONE (UNII: DR0K5NOJ4R)	
GLYCERIN (UNII: PDC6A3C0OX)	
PEG-9 POLYDIMETHYLSILOXYETHYL DIMETHICONE (UNII: TYP81E471F)	
TRIMETHYL PENTAPHENYL TRISILOXANE (UNII: HE7ABK56N5)	
BUTYLENE GLYCOL (UNII: 3XUS85K0RA)	
DISTEARDIMONIUM HECTORITE (UNII: X687XDK09L)	
POWDERED CELLULOSE (UNII: SMD1X3XO9M)	
SODIUM MYRISTOYL GLUTAMATE (UNII: AYU7QD893W)	
PROPYLENE CARBONATE (UNII: 8D08K3S51E)	
CHLORPHENESIN (UNII: I670DAL4SZ)	
COPOVIDONE K25-31 (UNII: D9C330MD8B)	
ALUMINUM OXIDE (UNII: LMI26O6933)	
STEARIC ACID (UNII: 4ELV7Z65AP)	
ALUMINUM HYDROXIDE (UNII: 5QB0T2IUN0)	
HIBISCUS SABDARIFFA FLOWER (UNII: 45TGG6IU6M)	
TROMETHAMINE (UNII: 023C2WHX2V)	
TOCOPHEROL (UNII: R0ZB2556P8)	
TROPAEOLUM MAJUS FLOWERING TOP (UNII: RGT30824HY)	
HEXADECENE (MIXED ISOMERS) (UNII: 38H8547VP0)	
1,2-HEXANEDIOL (UNII: TR046Y3K1G)	
CAPRYLYL GLYCOL (UNII: 00YIU5438U)	
IRIS X GERMANICA NOTHOVAR. FLORENTINA ROOT (UNII: M30XO5X4XD)	
SODIUM BENZOATE (UNII: OJ245FE5EU)	
POTASSIUM SORBATE (UNII: 1VPU26JZZ4)	
PENTAERYTHRITOL TETRAKIS(3-(3,5-DI-TERT-BUTYL-4-HYDROXYPHENYL)PROPIONATE) (UNII: 255PIF62MS)	

Packaging

#	Item Code	Package Description	Marketing Start Date	Marketing End Date
1	NDC:61957-3135-0	30 mL in 1 BOTTLE; Type 0: Not a Combination Product	01/01/2022	
2	NDC:61957-3135-1	20 mL in 1 BOTTLE; Type 0: Not a Combination Product	01/01/2022	

Marketing Information

Marketing Category	Application Number or Monograph Citation	Marketing Start Date	Marketing End Date
OTC Monograph Drug	M020	01/01/2022	

Labeler - Parfums Christian Dior (275252245)

